

Please read and save these instructions. Read through this owner’s manual carefully before using product. Protect yourself and others by observing all safety information, warnings, and cautions. Failure to comply with instructions could result in personal injury and/or damage to product or property. Please retain instructions for future reference.



20V MAX* LITHIUM-ION CIRCULAR SAW

FOR CUSTOMER SERVICE

Technical Question?

CALL 1-866-458-2472
customerservice@oem-tools.com

UNPACKING

After unpacking unit, inspect carefully for any damage that may have occurred during transit. Check for loose, missing, or damaged parts. If any damage is observed, a shipping damage claim must be filed with carrier. DO NOT use the OEMTOOLS® 20V Max* Lithium-Ion Circular Saw if broken, bent, cracked or damaged parts (including labels) are noted. Any Circular Saw that appears damaged in any way, operates abnormally or is missing parts should be removed from service immediately. If you suspect that the Circular Saw was subjected to shock load (a load that was dropped suddenly, unexpectedly, etc.) immediately discontinue use until it has been checked by a factory authorized service center.



*Voltage is measured without workload. Maximum initial battery voltage after charging. Nominal voltage is 18 Volts.

⚠ WARNING

The following safety information is provided as a guideline to help you operate your Circular Saw under the safest possible conditions. Any tool or piece of equipment can be potentially dangerous to use when safety or safe handling instructions are not known or not followed. The following safety instructions are to provide the user with the information necessary for safe use and operation. Please read and retain these instructions for the continued safe use of your Circular Saw. Failure to follow instructions listed below may result in serious injury. In addition, make certain that anyone who uses the equipment understands and follows these safety instructions as well.

Explanation of Safety Signal Words

- ⚠ WARNING:** Indicates a potentially hazardous situation which, if not avoided, could result in death or serious injury.
- ⚠ CAUTION:** Indicates a potentially hazardous situation which, if not avoided, may result in minor or moderate injury.
- CAUTION:** Used without the safety alert symbol indicates a potentially hazardous situation which, if not avoided, may result in property damage.
- NOTES:** Provide clarity and helpful information.

Thank you very much for choosing an OEMTOOLS® Product!

For future reference, please register your new tool at www.oem-tools.com and complete the owner’s record below:

Model: _____ **Purchase Date:** _____

Save the receipt, warranty and these instructions. It is important that you read the entire manual to become familiar with this product before you begin using it. This product is designed for certain applications only. OEMTOOLS® cannot be responsible for issues arising from modification. We strongly recommend this product is not modified and/or used for any application other than that for which it was designed. If you have any questions relative to a particular application, DO NOT use the product until you have first contacted customer service to determine if it can or should be performed on the product.

⚠ WARNING: This product can expose you to chemicals, including acrylonitrile, which are known to the State of California to cause cancer and birth defects or other reproductive harm. For more information, go to www.P65Warnings.ca.gov.





20V MAX* LITHIUM-ION CIRCULAR SAW

POWER TOOL SAFETY

⚠ WARNING

Read and understand all safety warnings and instructions. Failure to follow the warnings and instructions may result in electric shock, fire and/or serious injury.

Save all warnings and instructions for future reference.

WORK AREA SAFETY

1. Keep work area clean and well lit. Cluttered or dark areas invite accidents.
2. DO NOT operate power tools in explosive atmospheres, such as in the presence of flammable liquids, gases or dust. Power tools create sparks which may ignite the dust or fumes.
3. Keep children and bystanders away while operating a power tool. Distractions can cause you to lose control.

ELECTRICAL SAFETY

1. Power tool plugs must match the outlet. Never modify the plug in any way. DO NOT use any adapter plugs with earthed (grounded) power tools. Unmodified plugs and matching outlets will reduce risk of electric shock.
2. Avoid body contact with earthed or grounded surfaces such as pipes, radiators, ranges and refrigerators. There is an increased risk of electric shock if your body is earthed or grounded.
3. DO NOT expose power tools to rain or wet conditions. Water entering a power tool will increase the risk of electric shock.
4. DO NOT abuse the cord. Never use the cord for carrying, pulling or unplugging the power tool. Keep cord away from heat, oil, sharp edges or moving parts. Damaged or entangled cords increase the risk of electric shock.
5. When operating a power tool outdoors, use an extension cord suitable for outdoor use. Use of a cord suitable for outdoor use reduces the risk of electric shock.
6. If operating a power tool in a damp location is unavoidable, use a residual current device (RCD) protected supply. Use of a ground fault circuit interrupter (GFCI) reduces the risk of electric shock.

PERSONAL SAFETY

1. Stay alert, watch what you are doing and use common sense when operating a power tool. DO NOT use a power tool while you are tired or under the influence of drugs, alcohol or medication. A moment of inattention while operating power tools may result in serious personal injury.
2. Use personal protective equipment. Always wear eye protection. Protective equipment such as dust mask, non-skid safety shoes, hard hat, or hearing protection used for appropriate conditions will reduce personal injuries.
3. Prevent unintentional starting. Ensure the switch is in the off-position before connecting to power source and/or battery pack, picking up or carrying the tool. Carrying power tools with your finger on the switch or energizing power tools that have the switch on invites accidents.
4. Remove any adjusting key or wrench before turning the power tool on. A wrench or a key left attached to a rotating part of the power tool may result in personal injury.

5. DO NOT overreach. Keep proper footing and balance at all times. This enables better control of the power tool in unexpected situations.
6. Dress properly. DO NOT wear loose clothing or jewelry. Keep your hair, clothing and gloves away from moving parts. Loose clothes, jewelry or long hair can be caught in moving parts.
7. If devices are provided for the connection of dust extraction and collection facilities, ensure these are connected and properly used. Use of dust collection can reduce dust related hazards.

POWER TOOL SAFETY

1. DO NOT force the power tool. Use the correct power tool for your application. The correct power tool will do the job better and safer at the rate for which it was designed.
2. DO NOT use the power tool if the switch does not turn it on and off. Any power tool that cannot be controlled with the switch is dangerous and must be repaired.
3. Disconnect the plug from the power source and/or the battery pack from the power tool before making any adjustments, changing accessories, or storing power tools. Such preventive safety measures reduce the risk of starting the power tool accidentally.
4. Store idle power tools out of the reach of children and do not allow persons unfamiliar with the power tool or these instructions to operate the power tool. Power tools are dangerous in the hands of untrained users.
5. Maintain power tools. Check for misalignment or binding of moving parts, breakage of parts and any other condition that may affect the power tool's operation. If damaged, have the power tool repaired before use. Many accidents are caused by poorly maintained power tools.
6. Keep cutting tools sharp and clean. Properly maintained cutting tools with sharp cutting edges are less likely to bind and are easier to control.
7. Use the power tool, accessories and tool bits etc. in accordance with these instructions, taking into account the working conditions and the work to be performed. Use of the power tool for operations different from those intended could result in a hazardous situation.
8. Hold the power tool by insulated gripping surfaces when performing an operation where the cutting tool may contact hidden wiring or its own cord. Contact with a "live" wire will make exposed metal parts of the tool "live" and shock the operator.
9. Use clamps or other practical ways to secure and support the workpiece to a stable platform. Holding the workpiece by hand or against your body leaves it unstable and may lead to loss of control.

BATTERY TOOL USE AND CARE

1. Recharge only with the charger specified by the manufacturer. A charger that is suitable for one type of battery pack may create a risk of fire when used with another battery pack.
2. Use power tools only with specifically designated battery packs. Use of any other battery packs may create a risk of injury and fire.



20V MAX* LITHIUM-ION CIRCULAR SAW

3. When the battery pack is not in use, keep it away from other metal objects, like paper clips, coins, keys, nails, screws or other small metal objects that can make a connection from one terminal to another. Shorting the battery terminals together may cause burns or a fire.
4. Under abusive conditions, liquid may be ejected from the battery; avoid contact. If contact accidentally occurs, flush with water. If liquid contacts eyes, additionally seek medical help. Liquid ejected from the battery may cause irritation or burns.

SERVICE

Have your power tool serviced by a qualified repair person using only identical replacement parts. This will ensure that the safety of the power tool is maintained.

SPECIFIC SAFETY RULES

WARNING

1. Know your circular saw. DO NOT plug the charger into the power source or install the battery in the tool until you have read and understand this Instruction Manual. Learn the tool's applications and limitations, as well as the specific potential hazards related to this tool. Following this rule will reduce the risk of electric shock, fire, or serious injury.
2. Always wear eye protection. Any power tool can throw foreign objects into your eyes and cause permanent eye damage. ALWAYS wear safety goggles (not glasses) that comply with ANSI safety standard Z87.1. Everyday glasses have only impact resistant lenses. They ARE NOT safety glasses.
3. Glasses or goggles not in compliance with ANSI Z87.1 could cause serious injury when they break.
4. Always keep hands out of the path of the saw blade. Avoid awkward hand positions where a sudden slip could cause your hand to move into the path of the saw blade.
5. Keep hands away from the cutting area and the blade. Keep your second hand on the tool. If both hands are holding the saw, they cannot be cut by the blade.
6. DO NOT reach underneath the workpiece. The guard cannot protect you from the blade below the workpiece.
7. Adjust the cutting depth according to the thickness of the workpiece. Less than a full tooth of the blade teeth should be visible below the workpiece or approximately 3/8" (10 mm).
8. Never hold the piece being cut in your hands or across your leg. Secure the workpiece on a stable platform. It is important to support the workpiece properly to minimize body exposure, blade binding, or loss of control.
9. Hold the power tool by insulated gripping surfaces when performing an operation where the cutting tool may contact hidden wiring or its own cord. Contact with a "live" wire will also make exposed metal parts of the power tool "live" and shock the operator.
10. When ripping, always use a straight edge guide. This improves the accuracy of the cut and reduces the chance of the blade binding.
11. Always use blades with correct size and shape (diamond versus round) of arbor holes. Blades that do not match the mounting hardware of the saw will run eccentrically, causing loss of control.
12. Never use damaged or incorrect blade washers or bolt. The blade washers and bolts were specially designed for your saw, for optimum performance and safety of operation.

CAUSES AND OPERATOR PREVENTION OF KICKBACK

1. Kickback is a sudden reaction to a pinched, bound or misaligned saw blade, causing an uncontrolled saw to lift up and out of the workpiece toward the operator;
2. When the blade is pinched or bound tightly by the kerf closing down, the blade stalls and the motor reaction drives the unit rapidly back toward the operator.
3. If the blade becomes twisted or misaligned in the cut, the teeth at the back edge of the blade can dig into the top surface of the wood causing the blade to climb out of the kerf and jump back toward the operator.
4. Kickback is the result of saw misuse and/or incorrect operating procedures or conditions and can be avoided by taking proper precautions as given below:
 - Maintain a firm grip with both hands on the saw and position your arms to resist kickback forces.
 - Position your body to the left or right side of the blade, but not in line with the blade.
 - Kickback could cause the saw to jump backwards, but kickback forces can be controlled by the operator, if proper precautions are taken.
5. When the blade is binding, or when interrupting a cut for any reason, release the trigger and hold the saw motionless in the material until the blade comes to a complete stop. Never attempt to remove the saw from the work or pull the saw backward while the blade is in motion or kickback may occur. Investigate and take corrective actions to eliminate the cause of blade binding.
6. When restarting a saw in the workpiece, center the saw blade in the kerf and check that saw teeth are not engaged into the material. If the saw blades are binding, it may walk up or kickback from the workpiece as the saw is restarted.
7. Support large panels to minimize the risk of blade pinching and kickback. Large panels tend to sag under their own weight. Supports must be placed under the panel on both sides, near the line of cut and near the edge of the panel.
8. DO NOT use dull or damaged blades. Unsharpened or improperly set blades produce narrow kerf causing excessive friction, blade binding and kickback.
9. Use extra caution when making a "plunge cut" into existing walls or other blind areas. The protruding blade may cut objects that can cause kickback.
10. Check the lower guard for proper closing before each use. DO NOT operate the saw if the lower guard does not move freely and close instantly. Never clamp or tie the lower guard into the open position. If the saw is accidentally dropped, the lower guard may be damaged. Raise the lower guard with the retracting handle and



20V MAX* LITHIUM-ION CIRCULAR SAW

make sure it moves freely and does not touch the blade or any other part in all depths of cuts.

11. Check the operation of the lower guard spring. If the guard and the spring are not operating properly, they must be serviced before use. The lower guard may operate sluggishly due to damaged parts, gummy deposits, or a build-up of debris.
12. The lower guard should be retracted manually only for special cuts such as “plunge cuts” and “compound cuts”. Raise lower guard by retracting handle and as soon as the blade enters the material, the lower guard must be released. For all other sawing, the lower guard should operate automatically.
13. Always observe that the lower guard is covering the blade before placing saw down on the bench or on the floor. An unprotected, coasting blade will cause the saw to walk backwards, cutting whatever is in its path. Be aware of the time it takes for the blade to stop after the switch is released.
14. Never operate the saw while it is being carried to another location. The blade guard may be open and potentially cause serious injury.
15. If the switch fails to turn the saw ON or OFF properly, stop using it immediately and have the saw switch repaired.
16. Always allow the saw to reach full speed before beginning the cut.
17. Never use the side of the blade for cutting. When making horizontal cuts, make sure the weight of the tool is not forcing the side of the blade to do the cutting. This will reduce the risk of kickback.
18. Make sure there are no nails or foreign objects in the area of the workpiece to be cut.
19. Never lay workpiece on hard surfaces like concrete, stone, etc. The protruding blade may cause tool to jump.
20. To avoid injury from accidental starting, always remove the plug from the power source before making any adjustments and before installing or removing a saw blade.
21. When replacing the blade, make sure the replacement blade is 6-1/2" (16.5 cm) in diameter and is rated for a speed higher than 3,800 RPM. Installing an incorrect blade will result in possible injury and poor cutting action.
22. After changing a blade or making adjustments, make sure the blade clamp screw is securely tightened. Loose blades and adjustment devices will be violently thrown.
23. Never touch the blade during or immediately after use. After use the blade is too hot to be safely touched with bare hands.
24. Always remove the battery when changing the blade.

IMPORTANT SAFETY INSTRUCTIONS

The warnings, precautions, and instructions discussed in this manual cannot cover all possible conditions and situations that may occur. The operator must understand that common sense and caution are factors which cannot be built into this product, but must be supplied by the operator.

⚠ WARNING

Use only attachments recommended or sold by manufacturer.

1. DO NOT disassemble the saw. Take it to a qualified professional when service or repair is required. Incorrect reassembly may result in electric shock or fire.
2. Wear approved safety eye/face shield, ear defenders and hand protection.

DISPOSAL

At the end of the useful life of the OEMTOOLS® 20V MAX* Li-Ion Circular Saw, dispose of the components according to all state, federal and local regulations.

BATTERY DISPOSAL

Exposure to high temperatures can cause the batteries to explode; do not dispose of in a fire. Some countries have regulations concerning battery disposal. Follow all applicable regulations. Return used batteries to a collection location for recycling. Call 800-822-8837 or visit www.call2recycle.org to find a collection location.

PURPOSE

The OEMTOOLS® 20V Max* Lithium-Ion Circular Saw is convenient when working in areas where extension cords are difficult to use or AC power is not available. It is designed to make quick, straight cuts across a board (crosscuts) or along the board's length (rip cuts). It can also be set to make bevel cuts. It includes a blade guard that covers the blade when the saw is not in use and retracts to expose the blade during use, a foot plate that steadies the saw against the work piece, a depth adjustment to allow for work pieces of different thicknesses and a bevel adjustment that lets the foot plate tilt in relation to the blade for making bevel cuts. The included 20V Battery Pack delivers more run-time, more power, and runs cooler than standard 18-Volt lithium-ion batteries. This saw is compatible with an ever growing OEMTOOLS 20V series of cordless power tools.

PRODUCT SPECIFICATIONS

Voltage:	20V MAX*
No-Load Speed:	3,800 RPM
Blade Diameter:	6.5"
Bevel Capacity:	0-50 Degrees
Arbor Size:	5/8"
Electric Brake:	Yes
Spindle Lock:	Yes
Depth of Cut at:	45 degrees 1.6"
Depth of Cut at:	90 degrees 2.12"
Battery:	4.0Ah Li-Ion
Charge Time:	2 Hrs.
Weight:	10.35 Lb.

INSTRUCTIONS

Always wear safety goggles and gloves.

INSTALLING A BLADE



20V MAX* LITHIUM-ION CIRCULAR SAW

⚠ WARNING

Always remove the battery from the tool before installing or removing a blade or adjusting the saw in any way.

1. Place your right thumb on the shaft-locking button. (Figure 3)

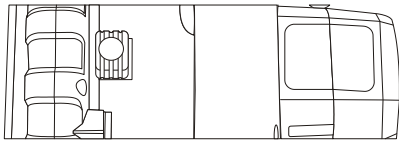


Figure 3

2. Place the socket end of the blade wrench on the blade screw. (Figure 4)

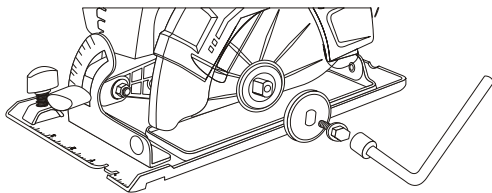


Figure 4

3. While pressing the shaft-locking button, rotate the blade wrench clockwise until the blade-locking button engages the blade shaft. Continue turning the blade wrench clockwise to remove the blade screw and the large washer.

NOTE: The blade screw has a left-handed thread and must be turned clockwise to be removed.

4. To place blade onto the motor shaft, rotate the blade guard lever forward and slide the blade through the slot in the sole plate until it fits over the motor shaft. (Figure 5).

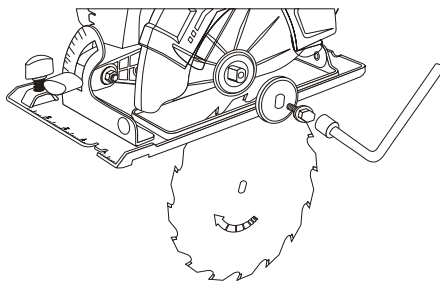


Figure 5

NOTE: Make sure the blade teeth are pointing forward at the bottom of the blade.

5. Place the large flat washer onto the motor shaft.

NOTE: Make sure the flat sections of the large washer fit over the matching flat sections on the motor shaft.

6. Insert the blade screw through the large flat washer and thread it counterclockwise into the end of the motor shaft.

7. Lock the motor shaft using the shaft-locking button and firmly tighten the blade screw using the blade wrench.

NOTE: Make sure the screw is NOT cross-threaded and that the blade does not wobble when turned by hand.

SETTING THE CUTTING DEPTH

NOTE: The cutting depth of the blade should be set to suit

the thickness of the material being cut. The cutting depth should be approximately 1/8" (3 mm) greater than the thickness of the material being cut.

1. Turn the depth adjustment knob counterclockwise. (Figure 6)

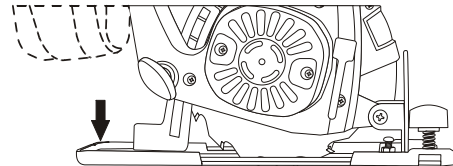


Figure 6

2. Pull the sole plate downward until the correct amount of the blade is protruding below the sole plate.
3. Lock the sole plate at the correct depth by turning the depth control knob clockwise.

NOTE: Make a test cut on a scrap workpiece to verify the depth setting.

BEVEL CUTTING

NOTE: The sole plate can be tilted to provide bevel cuts from 0° - 50°.

Adjusting the Sole Plate Angle

1. Turn the bevel angle locking knob counterclockwise. (Figure 7)

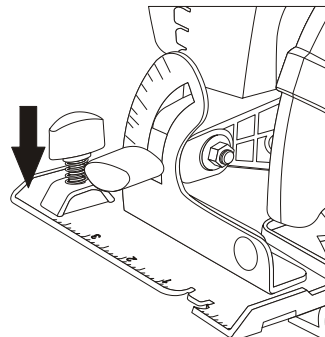


Figure 7

2. Rotate the sole plate to the desired angle as shown on the bevel gauge.
3. Lock the sole plate at the correct angle by turning the bevel angle locking knob in a clockwise direction.

NOTE: Make a test cut on a scrap workpiece to verify the bevel angle setting.

Installing the Edge Guide

1. Loosen the edge guide adjusting knob. (Figure 9)

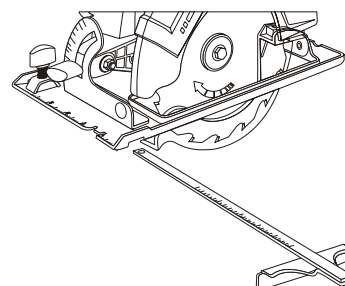


Figure 9

2. Slide the edge guide rod into the edge guide slot.



20V MAX* LITHIUM-ION CIRCULAR SAW

Continue to slide the guide rod across the sole plate and into the adjusting knob slot in the sole plate on the opposite side.

- Adjust the edge guide shoe to the correct distance from the blade and tighten the set screw.

LOCK-OUT SWITCH

NOTE: The lock-out switch is a safety device designed to reduce the possibility of accidentally starting the saw (Figure 10). This switch must be depressed before the trigger switch can be depressed.

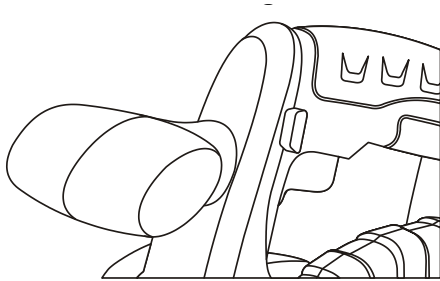


Figure 10

TRIGGER SWITCH

- To turn the saw ON, press the lock-out switch with your thumb.

NOTE: The lock-out switch can be pressed from either side of the handle.

- While holding the lock-out switch in the pressed position, squeeze the trigger switch to start the saw.
- Once the saw starts, release the lock-out switch.
- The saw will remain running until the trigger switch is released.
- To turn the saw OFF, release the trigger switch.

NOTE: To re-start the saw, the lock-out switch must be pressed again before the trigger switch is squeezed to start the saw.

MATERIALS THAT YOU CAN CUT

The circular saw is a versatile saw that allows you to cut many different types of materials. Some of the materials include:

- Wood products such as lumber, hardwood, plywood, composite board and paneling
- Drywall
- Masonite and plastic

NOTE: There are several different types of blades available. Generally, blades with carbide-tipped teeth cut better and stay sharp longer. Tooth count and configuration are also important. High tooth counts cut slower, and are best suited for making smooth cuts on thinner materials such as paneling. Use the correct blade for your application.

GENERAL CUTTING

- Make any adjustments to the saw before installing the battery. Adjustments include cutting depth, cutting angle and rip guide (if installed).
- Clearly mark the workpiece to locate the position of the cut.
- Hold a smaller workpiece with a vise. Clamp a larger workpiece to a workbench or table.

⚠ WARNING

Any workpiece that is not adequately clamped in place may come loose and cause serious injury. Never hold the workpiece in your hand.

- Make sure there are no nails, screws, clamps or foreign materials in the path of the saw blade.
- With both hands firmly gripping the saw, and with the blade NOT in contact with the surface to be cut, start the saw by pressing the lock-off button and then the trigger switch.
- Once the saw has reached full speed, place the front edge of the sole plate on the workpiece and gradually bring the moving blade into contact with the workpiece at the appropriate location.

NOTE: To align the saw blade with the cutting mark, use the guide marks on the front of the sole plate (Figure 11). Use the 0° cutting mark (1) for right angle cuts. Use only the 45° mark (2) for 45° cuts. The 45° mark will allow for the extra material needed for the angle cut. Always make a test cut on a scrap workpiece before cutting the new material.

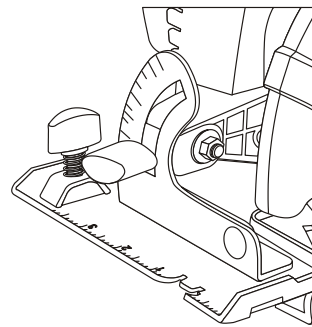


Figure 11

⚠ WARNING

DO NOT force the circular saw. Use only enough force to keep the blade cutting at full speed. Excessive pressure on the blade will cause it to slow down and overheat, resulting in poor cut quality and damage to the motor.

RIP GUIDE CUTTING

- Set the rip guide foot at the required width. (Figure 9)

NOTE: When starting the cut, make sure the blade is parallel to the edge of the workpiece and the rip guide foot is against the edge of the workpiece.

- Proceed with the cut as outlined in 'GENERAL CUTTING' above.

NOTE: As you move the saw through the workpiece, make sure the guide foot stays in contact with the workpiece.

MAINTENANCE

⚠ WARNING

When servicing, use only identical replacement parts. The use of any other part may create a hazard or cause product damage.

DO NOT use solvents when cleaning plastic parts. Plastics are susceptible to damage from various types of commercial solvents and may be damaged by their use. Use a clean cloth to remove dirt, dust, oil, grease etc.



20V MAX* LITHIUM-ION CIRCULAR SAW

⚠ WARNING

DO NOT allow brake fluids, gasoline, petroleum-based products, penetrating oils, etc. to come into contact with plastic parts. They contain chemicals that can damage, weaken or destroy plastic.

DO NOT abuse power tools. Abusive practices can damage the tool and the workpiece.

⚠ WARNING

DO NOT attempt to modify tools or create accessories. Any such alteration or modification is misuse and could result in a hazardous condition leading to possible serious injury. It will also void the warranty.

NOTE: It has been found that electric tools are subjected to accelerated wear and possible premature failure when they are used on fiberglass boats and sports cars, wallboard, spackling compounds or plaster. The chips and grindings from these materials are highly abrasive to electric tool parts such as bearings, brushes, commutators, etc. Consequently, it is not recommended that this tool be used for extended work on any fiberglass material, wallboard, spackling compounds or plaster. During any use on these materials it is extremely important that the tool is cleaned frequently by blowing it out with an air jet.

LUBRICATION

All of the bearings in this tool are lubricated with a sufficient amount of high-grade lubricant for the life of the unit under normal conditions. Therefore, no further lubrication is required.

⚠ WARNING

Always charge the battery pack indoors in a well-ventilated area. The charger must never be subjected to wet conditions.

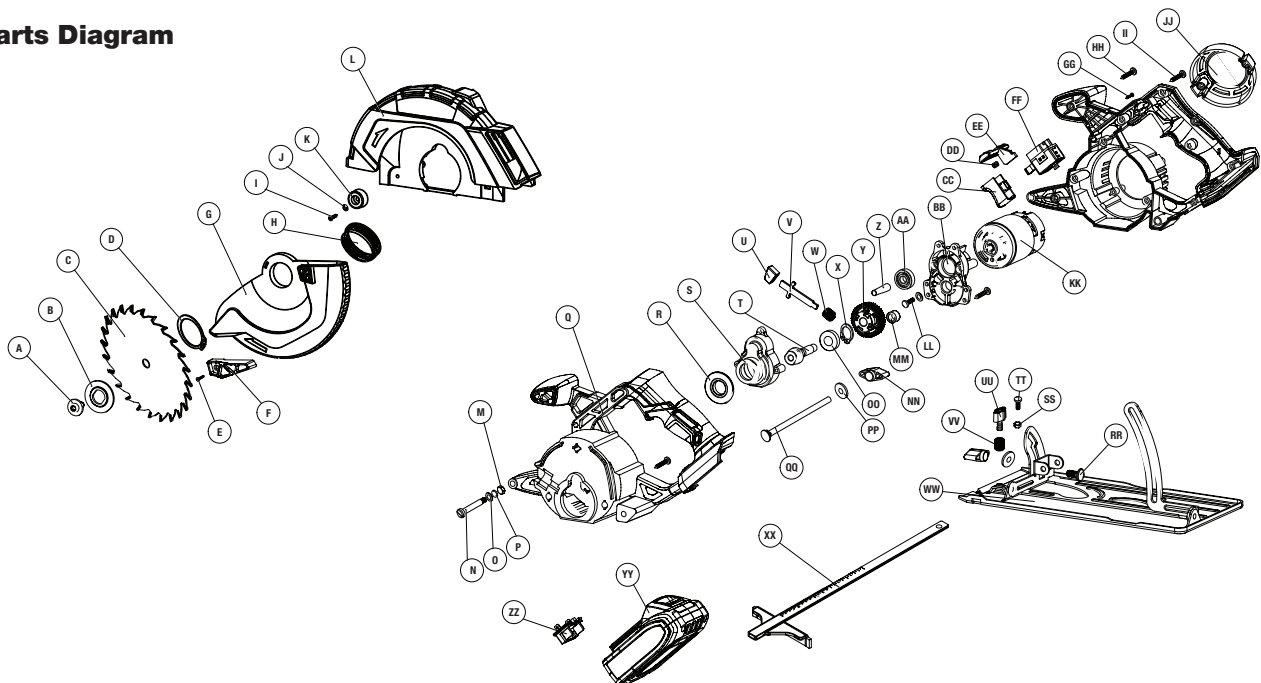
Green Light	Red Light	Battery on the Charger	Charging Status
ON	OFF	NO	Charger connected to power supply
OFF	FLASHING	YES	Battery charging
ON	OFF	YES	Battery fully charged
OFF	ON	YES	Battery defective or bad contact
ON	ON	YES	Battery too hot or too cold to be charged



This symbol designates that this tool is listed with U.S. requirements by TUV Rheinland. Conforms to UL Std.62841-1 and 62841-2-2.

JD5385

Parts Diagram





20V MAX* LITHIUM-ION CIRCULAR SAW

NOTE:

Not all components of the Circular Saw are replacement items, but are illustrated as a convenient reference for location and position in the assembly sequence.

Parts List

Figure	Description	Qty.	Figure	Description	Qty.
A	Blade Screw	1	BB	Deep Groove Ball Bearing	1
B	Flange	1	CC	Gear Box Rear Assembly	1
C	Circular Saw Blade	1	DD	Switch Button	1
D	C Clips	1	EE	Switch Lock Lever Spring	1
E	Screw	1	FF	Switch Lock Lever	1
F	Handle	1	GG	Switch	1
G	Blade Guard	1	HH	Screw	1
H	Torsion Spring	1	II	Screw	15
I	ST3.9 x 10	1	JJ	Screw	7
J	Flat Washer	1	KK	Rear Cover Housing	1
K	Bushing	1	LL	Motor	1
L	Blade Guard	1	MM	Screw	2
M	Lock Nut	1	NN	Needle Roller Bearing	1
N	Cross Screw	1	OO	Depth Locking Knob	2
O	Flat Washer	1	PP	Deep Groove Ball Bearing	1
P	Lock Washer	3	QQ	Washer	2
Q	Housing	1	RR	Rivet	1
R	Inner Flange	1	SS	Rivet	1
S	Gear Box Assembly	1	TT	Hex Nut	1
T	Spindle	1	UU	M4 x 14	1
U	Needle Roller Bearing	1	VV	Edge Guide Knob	1
V	Spindle Lock Cap	1	WW	Edge Guide Knob	1
W	Spindle Locking Lever	1	XX	Bottom Plate	1
X	Spindle Locking Lever Spring	1	YY	Edge Guide Knob	1
Y	C Clip	1	ZZ	Battery	1
Z	Main Gear	1	AAA	Battery Connector	1
AA	Pinion Gear	1			

Don't forget to register your new OEMTOOLS® product at www.oem-tools.com.

We Stand Behind Our Tools. OEMTOOLS® 1 Year Warranty

If within 1 year from the date of purchase of this OEMTOOLS product, you find any defect in material or workmanship, through normal usage, return it to the place of purchase or to OEMTOOLS® for repair or replacement at our discretion. In order to obtain this service, send your tool and proof of purchase (transportation pre-paid) to:

OEMTOOLS® Q.A. Dept., 3580 E. Raines Road #3, Memphis, TN 38118.

We will not be responsible for lost or damaged goods during transportation; please insure your package. If our inspection verifies the defect, we will repair or replace the product, or we may elect to refund the purchase price if we cannot readily and quickly provide you with a replacement. We will return repaired products at our expense, but if we determine there is no defect, or that the defect resulted from causes not within the scope of our warranty, then you must bear the cost of returning the product.

OEMTOOLS® does not provide warranty for products labeled other than OEM® or OEMTOOLS®. OEMTOOLS® will not provide any warranty for products subjected to abnormal use. Abnormal use includes (but is not limited to) abuse, accident, alteration, neglect, and unauthorized or unreasonable use or repairs. This warranty does not cover bits, blades, files, batteries, or calibration. We recommend that you maintain your tools and sharpen or replace blades, bits, files, and batteries as necessary. OEMTOOLS® reserves the right to make any changes in construction or design at any time without any obligation in incorporating such changes to tools or equipment previously sold.

OEMTOOLS® makes every effort to ensure that its products meet high quality and durability standards, and warrants to the original purchaser that this product is free from defects in materials and workmanship. This warranty does not apply to damage due directly or indirectly to misuse, abuse, negligence or accidents, repairs or alterations outside our facilities, criminal activity, improper installation, normal wear and tear, or to lack of maintenance.

OEMTOOLS® is not responsible for damaged shipments or shortages resulting from carrier mishandling. Notify your carrier's office immediately to file a claim. Keep damaged goods and containers for inspection until advised by the carrier as to disposal.

We shall in no event be liable for death, injuries to persons or property, or for incidental, contingent, special or consequential damages arising from the use of our product. Some states do not allow the exclusion or limitation of incidental or consequential damages, so the above limitation of exclusion may not apply to you. THIS WARRANTY IS EXPRESSLY IN LIEU OF ALL OTHER WARRANTIES, EXPRESS OR IMPLIED, INCLUDING THE WARRANTIES OF MERCHANTABILITY AND FITNESS. This warranty gives you specific legal rights, and you may also have other rights, which vary from state to state.

Please contact us at customerservice@oem-tools.com or call us at 901-370-1101 for additional information or questions.

Thank you for your purchase.

CONTACT US

3580 E. Raines Road, Suite 3, Memphis, TN 38118
 Tel: 1-866-458-2472
www.oem-tools.com

