

Please read and save these instructions. Read through this owner's manual carefully before using product. Protect yourself and others by observing all safety information, warnings, and cautions. Failure to comply with instructions could result in personal injury and/or damage to product or property. Please retain instructions for future reference.



1,500 LB. MECHANICAL VEHICLE POSITIONING JACK SET

FOR CUSTOMER SERVICE

Technical Question?

CALL 1-866-458-2472
customerservice@oem-tools.com

UNPACKING

After unpacking unit, inspect carefully for any damage that may have occurred during transit. Check for loose, missing, or damaged parts. If any damage is observed, a shipping damage claim must be filed with carrier. Do not use OEMTOOLS® 24793 1,500 Lb. Mechanical Vehicle Positioning Jack Set if broken, bent, cracked or damaged parts (including labels) are noted. Any Jack that appears damaged in any way, operates abnormally or is missing parts should be removed from service immediately. If you suspect that the Jack was subjected to a shock load (a load that was dropped suddenly, unexpectedly, etc.) immediately discontinue use until it has been checked by a factory authorized service center.



⚠️WARNING

The following safety information is provided as guidelines to help you operate your Jack under the safest possible conditions. Any tool or piece of equipment can be potentially dangerous to use when safety or safe handling instructions are not known or not followed. The following safety instructions are to provide the user with the information necessary for safe use and operation. Please read and retain these instructions for the continued safe use of your Jack. Failure to follow instructions listed below may result in serious injury. In addition, make certain that anyone that uses the equipment understands and follows these safety instructions as well.

Explanation of Safety Signal Words

⚠️WARNING: Indicates a potentially hazardous situation which, if not avoided, could result in death or serious injury.

⚠️CAUTION: Indicates a potentially hazardous situation which, if not avoided, may result in minor or moderate injury.

CAUTION: Used without the safety alert symbol indicates a potentially hazardous situation which, if not avoided, may result in property damage.

NOTES: Provide clarity and helpful information.

Thank you very much for choosing an OEMTOOLS® Product!

For future reference, please register your new tool at www.oem-tools.com and complete the owner's record below:

Model: _____ **Purchase Date:** _____

Save the receipt, warranty and these instructions. It is important that you read the entire manual to become familiar with this product before you begin using it. This product is designed for certain applications only. OEMTOOLS® cannot be responsible for issues arising from modification. We strongly recommend that this product is not modified and/or used for any application other than that for which it was designed. If you have any questions relative to a particular application, DO NOT use the product until you have first contacted customer service to determine if it can or should be performed on the product.

⚠️WARNING: This product can expose you to chemicals which are known to the State of California to cause cancer and birth defects or other reproductive harm. For more information go to www.P65Warnings.ca.gov.



1,500 LB. MECHANICAL VEHICLE POSITIONING JACK SET

! IMPORTANT INSTRUCTIONS AND SAFETY RULES

1. Know your product. Read this manual carefully. Learn the product's applications and limitations, as well as potential hazards specific to it. The use of this product is simple and straightforward if you follow the instructions. When operating this product, use common sense and only use this product for its intended purpose.
2. Maintain labels and nameplates on this product. These carry important information. If unreadable or missing, contact OEMTOOLS® for a replacement.
3. Maintain this product with care. Keep it dry and clean – and free from brake fluid, oil, and grease (if applicable).
4. Check for damage. Check your product regularly. If part of the product is damaged, it should be carefully inspected to make sure that it can perform its intended function correctly. If in doubt, the part should be repaired. Refer all servicing to a qualified technician. Consult your dealer for advice.
5. Check for misalignment or binding of moving parts, breakage of parts, and any other condition that may affect the product's operation.
6. DO NOT use a damaged product. Tag damaged products "DO NOT USE" until repaired. If damaged, have the product serviced before using. Many accidents are caused by poorly maintained products.
7. Service must be performed only by qualified repair personnel. Service or maintenance performed by unqualified personnel could create a risk of injury.
8. When servicing a product, use only identical replacement parts. Use of unauthorized parts or failure to follow maintenance instructions could create a risk of injury.
9. Use only accessories that are recommended by the manufacturer for your model. Accessories that may be suitable for one product may become hazardous when used on another product.
10. Keep work area clean and well lit. Cluttered or dark work areas invite accidents.
11. Maintain a safe working environment. Keep the work area well lit. Make sure there is adequate surrounding workspace. Keep the work area free of obstructions, grease, oil, trash, and other debris. DO NOT use this product in a damp or wet location.
12. Keep children away from the work area. Never let a child handle this product without strict adult supervision.
13. Store this product out of the reach of children and untrained persons. This product may be dangerous in the hands of untrained users.
14. DO NOT operate this product if under the influence of alcohol or drugs. Read warning labels on prescriptions to determine if your judgment or reflexes are impaired while taking drugs. If there is any doubt, DO NOT attempt to operate.
15. Use safety equipment. Eye protection should be worn at all times when operating this product. Use ANSI approved safety glasses. Everyday eyeglasses are NOT safety glasses. Dust mask, non-skid safety shoes, hard hat or hearing protection should be used in appropriate conditions.
16. Wear proper apparel. Loose clothing, gloves, neck-ties, rings, bracelets or other jewelry may present a potential hazard when operating this product. Keep all apparel clear of the product.
17. DO NOT overreach. Keep proper footing and balance at all times when operating this product.
18. Keep away from flammables. DO NOT attempt to operate this product near flammable materials or combustibles. Failure to comply may cause serious injury or death.
19. Avoid accidental fire and/or explosion. DO NOT smoke near engine fuel and battery components.
20. We believe the information contained herein to be reliable. However, general technical information is given by us without charge and the user shall employ such information at their own discretion and risk. We assume no responsibility for results or damages incurred from the use of such information in whole or in part. Always refer to specific instructions and technical information supplied by vehicle manufacturer.
21. The manufacturer declines any and all responsibility for property damage or injury if said damage is the result of unskillful handling by the operator or of failure to observe the basic safety rules set forth in the instruction manual.
22. The warnings, precautions, and instructions discussed in this manual cannot cover all possible conditions and situations that may occur. The operator must understand that common sense and caution are factors which cannot be built into this product, but must be supplied by the operator.

PRODUCT DESCRIPTION

The 1,500 Lb. Mechanical Vehicle Positioning Jack Set is designed for use on tires to allow vehicle to be maneuvered in any direction. Easy foot pedal lifting function raises vehicle. Mechanical lift construction with locking function lifts tires between (2) Rollers. Use on vehicles weighing up to 6,000 pounds (requires 4 jacks). NEVER use for any purpose other than those uses outlined above!

PRODUCT SPECIFICATIONS

Max. Holding Capacity Per Unit	1,500 Lb.
Width Between Arms Closed	13-3/8"
Width Between Arms Open	28"
Max. Wheel Diameter	31-7/8"
Net Weight Per Unit	34.3 Lb.



1,500 LB. MECHANICAL VEHICLE POSITIONING JACK SET

SPECIFIC SAFETY INSTRUCTIONS AND WARNINGS

1. Verify that the product and application are compatible; if in doubt call OEMTOOLS at 866-458-2472.
2. Before using this product, read the operator's manual completely and familiarize yourself thoroughly with the product, its components and recognize the hazards associated with its use.
3. Wear appropriate safety gear, including heavy-duty work gloves and ANSI-approved safety goggles during use.
4. DO NOT exceed the weight capacity of the Vehicle Positioning Jack Set. Exceeding the maximum capacity for this product is dangerous and can lead to serious injury or property damage.
5. Always evaluate your task before using this Vehicle Positioning Jack Set. Only use as intended.
6. DO NOT use for lifting human weight. Keep clear of raised load.
7. Use only on a hard, level and flat surface capable of bearing the combined weight of the Vehicle Positioning Jack Set, the load being lifted, the operator, and any tools being used.

⚠️WARNING

8. If you are working and the load becomes off-balance and/or the jack begins to tip over, DO NOT ATTEMPT TO CATCH OR LIFT THE LOAD WHEN FALLING. SERIOUS PERSONAL INJURY CAN RESULT! In this event, clear the area as quickly and safely as possible in order to avoid injury from the falling load, including getting hit with flying fragments.
9. Before each use, inspect the general condition of the Vehicle Positioning Jack Set. If a problem occurs, have the problem corrected before further use.

⚠️WARNING: To prevent serious injury: DO NOT use a damaged or malfunctioning vehicle positioning jack.

10. If in doubt about the safety of your project, we advise you to have the work done by a professional familiar with applicable safety practices.
11. This is a lifting device only. Immediately after lifting, support the vehicle with appropriate means.
12. The use of jack stands is considered the only safe way to work under or around a vehicle. Only one end or side of the car should be supported at a time. The wheels not supported need to be choked.

⚠️WARNING

Use the jack on a smooth level surface. DO NOT operate the jack on inclines.

DO NOT use the jack with tires that are wider than 13 inches.

DO NOT start the vehicle's engine or drive the vehicle with the jack in use. The jack is designed only for manual maneuvering of a vehicle.

The higher a vehicle is lifted the more unstable it becomes; therefore, use the lowest possible lock pin position.

ASSEMBLY STEPS

1. Unpack the positioning jacks making sure that all of the parts and pieces have been included.
2. Find both of the rod assemblies (3) for each positioning jack. Be prepared to attach one to the ratchet assembly (6) and the other to the receiver assembly (16).
3. Insert the rod assembly (3) into the roller (5).
4. Press the rod assembly (3) into the ratchet assembly (6). Use the washer (7), lock washer (8) and bolt (9) to secure everything in place. Repeat this with the other rod assembly (3) and the receiver assembly (16).
5. Install caster with lock (10) to ratchet assembly (6) and receiver assembly (16) using nut (1).

OPERATION INSTRUCTIONS

⚠️WARNING: Before operating the positioning jack, make sure that all the hardware is secure, and that each unit has been tested properly.

1. Make sure that the vehicle being lifted is located on a solid flat surface.
2. Slide the positioning jack around the tire so that the rollers (5) are perpendicular to the tire. Make sure that each tire has a positioning jack around it before raising.
3. To raise each tire, pump each foot pedal (21) so that the rollers (5) move together and lift the tire off the ground.
4. IMPORTANT: Once raised to the desired height, press the foot pedal (21) down and swing the pedal latch (29) up to secure the foot pedal (21) in place.
5. Once all four tires are resting on the positioning jacks, the vehicle can be pushed into the desired location.
6. To lower the vehicle, flip lever (19) down and pump foot pedal (21) until the weight of the vehicle begins to spread the rollers (5) apart allowing the tire to rest on the ground.
7. Remove the positioning jacks from each tire and secure the foot pedal (21) with the pedal latch (29).
8. Apply the locking function on the caster (10) when it is necessary.

⚠️WARNING: Use caution when troubleshooting a malfunctioning Vehicle Positioning Jack. Stay well clear of the supported load. Completely resolve all problems before use. If the Vehicle Positioning Jack is malfunctioning, have a qualified technician inspect and repair the Vehicle Positioning Jack before use.

MAINTENANCE

Keep the jack clean and well lubricated. If the jack has been exposed to rain, snow, sand, or grit, it must be cleaned immediately to prevent rust and corrosion.

LUBRICATION

A periodic coating of light lubricating oil to pivot points, adjusting points, etc. will help to prevent rust and assure that all components move freely.

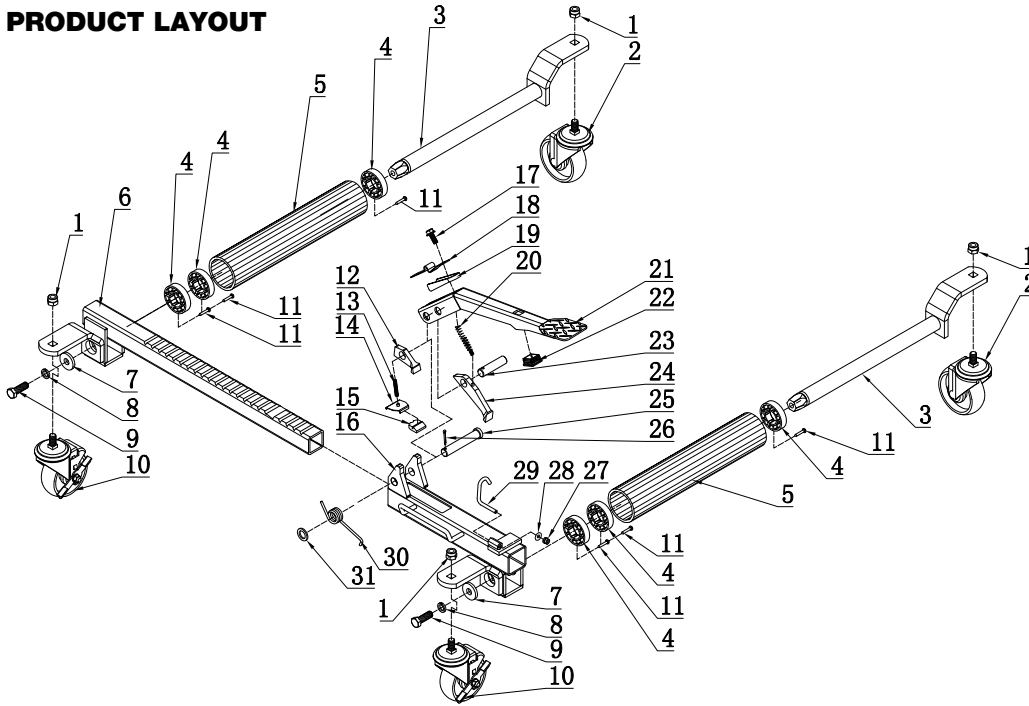
STORAGE

Always store the Vehicle Positioning Jack Set in a well-protected area where it will not be exposed to inclement weather, corrosive vapors, abrasive dust, or any other harmful elements.



1,500 LB. MECHANICAL VEHICLE POSITIONING JACK SET

PRODUCT LAYOUT



PARTS LIST

Figure	Description	Qty.
1	Nut	4
2	Caster	2
3	Roller Axle	2
4	Block	6
5	Roller	2
6	Tube	1
7	Washer	2
8	Lock Washer	2
9	Bolt	2
10	Caster	2
11	Screw	6
12	Claw	1
13	Spring	1
14	Plate	1
15	Limit Block	1
16	Tube	1
17	Bolt	1
18	Plate	1
19	Lock	1
20	Spring	1
21	Pedal	1
22	End Cap	1
23	Pin	1
24	Claw	1
25	Pin	1
26	Cotter Pin	1
27	Nut	1
28	O Ring	1
29	Pin	1
30	Spring	1
31	Washer	1

WE STAND BEHIND OUR TOOLS. OEMTOOLS® 1 YEAR WARRANTY

If within 1 year from the date of purchase of this OEMTOOLS product, you find any defect in material or workmanship, through normal usage, return it to the place of purchase or to OEMTOOLS® for repair or replacement at our discretion. In order to obtain this service, send your tool and proof of purchase (transportation pre-paid) to:

OEMTOOLS® Q.A. Dept., 3580 E. Raines Road #3, Memphis, TN 38118.

We will not be responsible for lost or damaged goods during transportation; please insure your package. If our inspection verifies the defect, we will repair or replace the product, or we may elect to refund the purchase price if we cannot readily and quickly provide you with a replacement. We will return repaired products at our expense, but if we determine there is no defect, or that the defect resulted from causes not within the scope of our warranty, then you must bear the cost of returning the product.

OEMTOOLS® does not provide warranty for products labeled other than OEM® or OEMTOOLS®. OEMTOOLS® will not provide any warranty for products subjected to abnormal use. Abnormal use includes (but is not limited to) abuse, accident, alteration, neglect, and unauthorized or unreasonable use or repairs. This warranty does not cover bits, blades, files, batteries, or calibration. We recommend that you maintain your tools and sharpen or replace blades, bits, files, and batteries as necessary. OEMTOOLS® reserves the right to make any changes in construction or design at any time without any obligation in incorporating such changes to tools or equipment previously sold.

OEMTOOLS® makes every effort to ensure that its products meet high quality and durability standards, and warrants to the original purchaser that this product is free from defects in materials and workmanship. This warranty does not apply to damage due directly or indirectly to misuse, abuse, negligence or accidents, repairs or alterations outside our facilities, criminal activity, improper installation, normal wear and tear, or to lack of maintenance.

OEMTOOLS® is not responsible for damaged shipments or shortages resulting from carrier mishandling. Notify your carrier's office immediately to file a claim. Keep damaged goods and containers for inspection until advised by the carrier as to disposal.

We shall in no event be liable for death, injuries to persons or property, or for incidental, contingent, special or consequential damages arising from the use of our product. Some states do not allow the exclusion or limitation of incidental or consequential damages, so the above limitation of exclusion may not apply to you. THIS WARRANTY IS EXPRESSLY IN LIEU OF ALL OTHER WARRANTIES, EXPRESS OR IMPLIED, INCLUDING THE WARRANTIES OF MERCHANTABILITY AND FITNESS. This warranty gives you specific legal rights, and you may also have other rights, which vary from state to state.

Please contact us at customerservice@oem-tools.com or call us at 901-370-1101 for additional information or questions. Thank you for your purchase.

NOTE: Not all components of the Vehicle Positioning Jack are replacement items but are illustrated as a convenient reference for location and position in the assembly sequence. The manufacturer and/or distributor have provided the parts list and assembly diagram in this manual as a reference tool only. Neither the manufacturer nor distributor makes any representation or warranty of any kind to the buyer that he or she is qualified to make any repairs to the product, or that he or she is qualified to replace any parts of the product. In fact, the manufacturer and/or distributor expressly states that all repairs and parts replacements should be undertaken by certified and licensed technicians and not by the buyer. The buyer assumes all risk and liability arising out of his or her repairs to the original product or replacement parts thereto, or arising out of his or her installation of replacement parts thereto.

CONTACT US

3580 E. Raines Road, Suite 3, Memphis, TN 38118
 Tel: 1-866-458-2472
www.oem-tools.com

