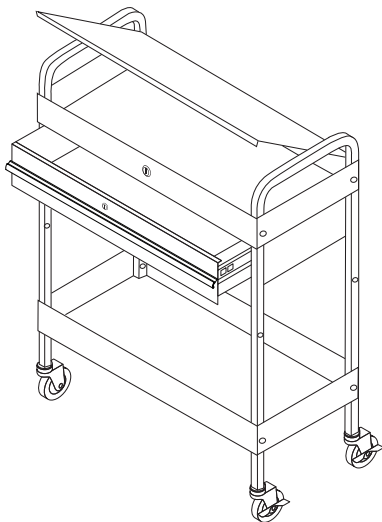


OEM TOOLS®

30-inch 1 Drawer Service Cart



204JGT007BLK
24961

CAUTION:

1. Read and follow all safety information and instructions before using this product for the first time.
2. Fill in the following information and retain the manual for future reference:

Model #:

Place of purchase:

Date of purchase:

Receipt # of purchase:

PLEASE NOTE: When requesting warranty service please call: 1-866-458-2472 (8:00 a.m. to 5:00 p.m., CST) and have the model number, cash register receipt and the date of purchase available when you call. DO NOT SHIP YOUR PRODUCT BACK TO THE STORE, OR TO US, UNLESS WE SEND YOU WRITTEN INSTRUCTIONS FOR RETURN.

CAUTION: TAKE SAFETY PRECAUTIONS WHEN USING YOUR SERVICE CART



Do not step or lean on the drawers.



Do not let children near the service cart.



Set the brake on the locking casters unless you are moving the service cart.



Lock drawers before moving the service cart.

SAFETY

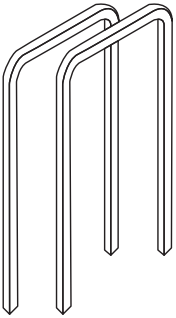
SAFETY

WARNING: READ ALL SAFETY INSTRUCTIONS BEFORE ASSEMBLING AND USING THIS PRODUCT.

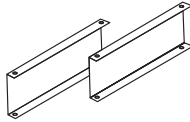
- **WEAR SAFETY GLASSES AND GLOVES** when assembling this product.
- **DO NOT** stand on this product. You may fall, which may cause personal injury.
- **DO NOT** alter this product in any manner. For example, do not weld external lock bars or attach electrical equipment to it. This may cause product damage or personal injury.
- **BE CAREFUL** of sharp edges.
- Keep the product on a level surface. The product may become unstable and tip if stored or moved on a tilted surface, and may cause personal injury or product damage.
- The maximum weight for each loaded drawer of the cabinet should be no more than 100 lb (45 kg).
- **ALWAYS WEAR ANSI-approved safety goggles** when working with tools and equipment.

PARTS LIST

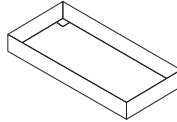
**FOR SERVICE REGARDING PARTS, ASSEMBLY OR WARRANTY INFORMATION,
PLEASE CALL OUR CUSTOMER SERVICE NUMBER: 1-866-458-2472 (8:00 A.M. TO 5:00 P.M., CST)**



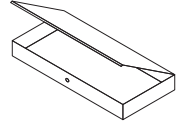
Chrome Legs (2)
(with inserts installed)



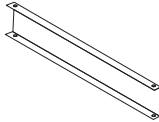
**Drawer Support
Side Panels (2)**



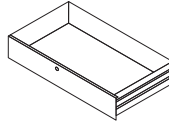
Bottom Drawer



**Locking Top
Assembly**



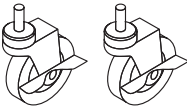
**Drawer support
back panel**



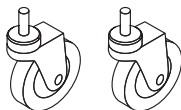
**Locking Drawer
Assembly**



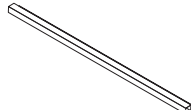
**Keys (attached to
drawer lock)**



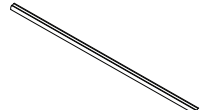
Locking Casters (2)



**Non-Locking
Casters (2)**



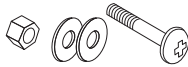
Drawer Spacer



Drawer Handle



**Drawer Handle
Screws (4)**



**10 mm Nuts,
Washers and Bolts
(8 pcs. each)**



**14 mm Nuts,
Washers and Bolts
(8 pcs. each)**

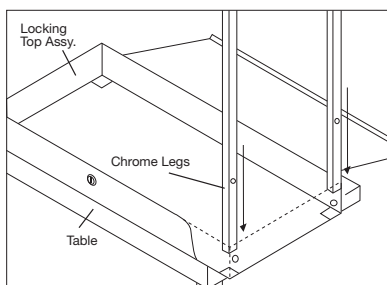
TOOLS REQUIRED FOR ASSEMBLY

- Rubber mallet
- 14 mm socket wrench
- 10 mm socket wrench
- Ratchet with 14 mm and 10 mm sockets
- Adjustable wrench
- Phillips screwdriver
- Table or workbench
- 2 People

ASSEMBLY

STEP 1: Assembly preparations

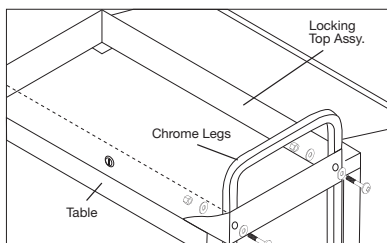
Clear table top and set locking top assembly on table right side up. Position the locking top assembly so the right side hangs off the table enough to expose the square holes so the chrome legs can go through the four holes as shown in Figure 1.



STEP 2: Connect the locking top assembly to the chrome legs

On right side of cart, line up holes in top tray with holes in the top of the chrome legs. Position a washer, and insert a 10 mm bolt through the washer and holes. Attach inside with another washer and nut. Repeat step 2 with remaining holes on right side of cart.

REPEAT STEPS 1 AND 2 FOR LEFT SIDE OF CART.

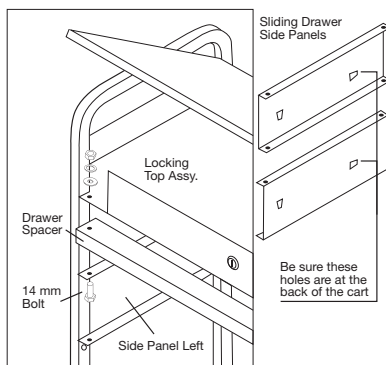


STEP 3: Connect the sliding drawer side supports to the locking top assembly

Before executing this step refer to figure 3.2 to make sure you are putting the correct drawer support side panel on the correct side.

NOTE: THE LOCKING DRAWER ASSEMBLY WILL NOT STAY IN PLACE IF THE DRAWER SUPPORT SIDE PANELS ARE PUT ON INCORRECTLY.

Insert a 14 mm bolt through the left front side of the drawer support side panel first and then up through drawer spacer into hole in the locking top assembly. Hand tighten the bolt. Repeat on right front side. Once the drawer support side panels are attached to the front of the locking top assembly, continue to Step 4.



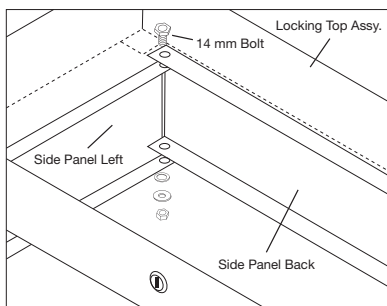
STEP 4 Connect the sliding drawer back support to the locking top assembly

Insert a 14 mm bolt down through back left hole in the locking top assembly, through the left hole in the drawer support back panel, and finally through the hole in the left drawer support side

ASSEMBLY

panel. Hand tighten the bolt. Repeat for the back right side.

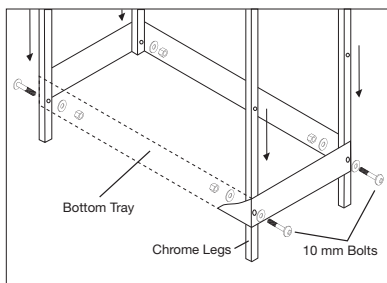
The locking top assembly, drawer supports and drawer spacer should now all be successfully connected.



STEP 5

Connect the bottom tray to the chrome legs

Pick up entire cart and place on top of the bottom tray. Line up holes in bottom tray with holes in chrome legs. Choose an aligned hole, position a washer, and insert 10 mm bolt through the washer and hole. Attached inside with another washer and nut. Hand tighten. Repeat with all remaining aligned holes.



STEP 6

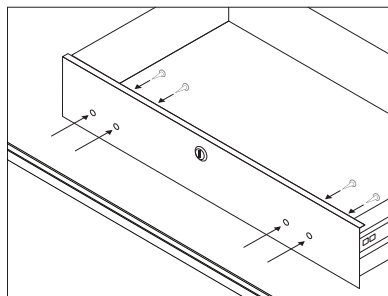
Tighten all bolts

AT THIS POINT, ALL BOLTS SHOULD BE TIGHTENED. TIGHTEN BOLTS OPPOSITE EACH OTHER RATHER THAN TIGHTENING ALL BOLTS ON ONE SIDE FIRST.

STEP 7

Attach handle to locking drawer assembly

Insert the 4 drawer handle screws through the holes in the back of the drawer and tighten with screwdriver.



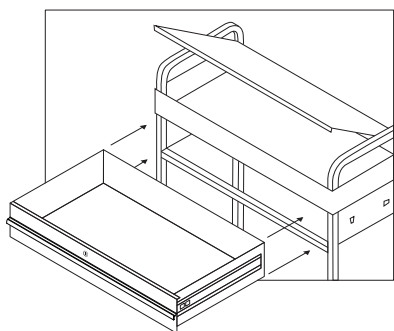
ASSEMBLY

STEP 8

Insert locking drawer assembly into the cart

Before inserting the drawer into the service cart, make sure the roller bearing case is extended all the way out to the black plastic stop. This will ensure proper alignment during insertion. Hold the roller bearing case in place while inserting the drawer. If necessary, adjust the drawer rails to allow the drawer to slide on smoothly.

NOTE: DO NOT FORCE THE DRAWER ONTO THE SLIDE RAILS.



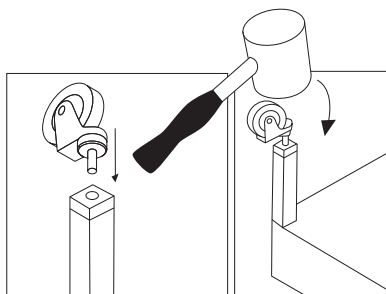
STEP 9

Attach casters

With the keys provided, lock both the locking top assembly and the locking drawer assembly. This will prevent the drawer and top from opening when you turn the cart upside down to attach the casters. Once the top and drawers are locked, turn the cart upside down so the legs are facing up and you can see the plastic inserts where the casters will be inserted. Insert the stem of the caster into the hole in the plastic insert. Using the rubber mallet, hammer the casters in place until the stem is no longer visible. Repeat with the other three casters.

NOTE: MAKE SURE BOTH LOCKING CASTERS ARE EITHER ON THE RIGHT HAND SIDE OR LEFT HAND SIDE OF THE CART.

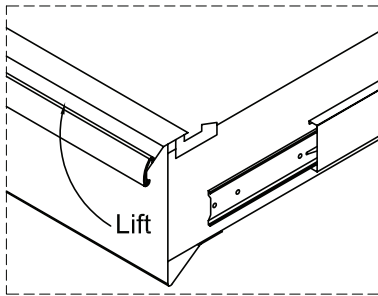
Once all casters are installed, stand the cart upright. Assembly is complete.



OPERATION

RAISE AND RELEASE DRAWER FRONTS:

This unit is equipped with the raise and release drawer fronts. To open, lift up on the drawer front while pulling towards you. To close, shut the drawer firmly until the latch engages. If the drawer does not stay closed, the hook may be bent, or it may rub against the drawer slides. To fix this problem, lightly bend the hook until the drawer will engage in the slide.

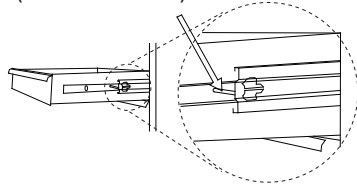


TO REMOVE DRAWERS

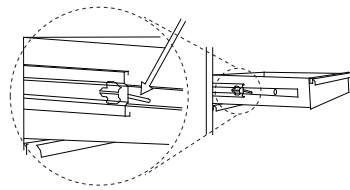
Empty drawer. Pull drawer out to almost full extension.

Push up on right hand black release lever, while pulling down on the left hand black release lever. While holding the levers in the positions as instructed above, pull the drawer outward until it is released from the drawer slide.

PUSH UP
(RIGHT HAND SIDE)



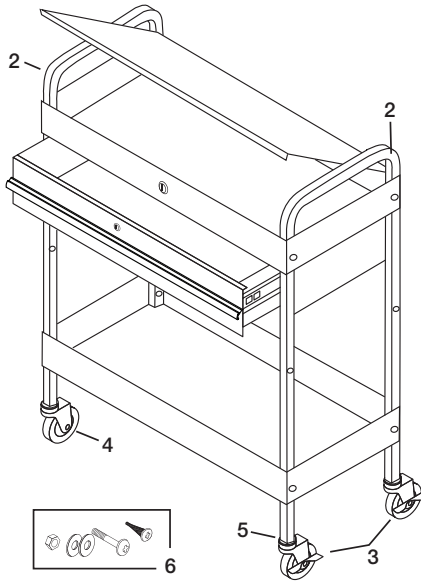
PULL DOWN
(LEFT HAND SIDE)



TO REPLACE DRAWERS

Empty drawer. Extend the drawer slides from the tool chest. Insert the brackets on each side of the drawer into the slots in the cabinet slides, being careful that they are properly positioned. Once properly inserted, completely close the drawer to set the slides in their proper positions.

REPLACEMENT PARTS



ITEM	PART	REQ'D QTY	DESCRIPTION
2	RSSC7	2	Chrome leg/ea.
3	RSSCPLW	2	Locking caster/ea.
4	RSSCPW	2	Non-locking caster/ea.
5	RSSCPP1	1	Set of 4 plastic inserts
6	RS8013ABK	1	Bolt kit (incl. 8 ea. of 14 mm bolts, washers, nuts and 4 screws)

ALSO AVAILABLE	
RS8006HDL	Chrome drawer handle
RS8006HDLB	Black drawer handle
RS8006LK	Drawer lock with keys
RS8006LK2	Matching locks with keys for drawer and top/pr.
RSRBSLIDEC-2	Clip-on roller bearing slides/pr.
RSDET8PK	Detents for slide/8pk.

**FOR SERVICE REGARDING PARTS, ASSEMBLY OR WARRANTY INFORMATION,
PLEASE CALL OUR CUSTOMER SERVICE NUMBER: 1-866-458-2472 (8:00 A.M. TO 5:00 P.M., CST)**

WARRANTY

WARRANTY

The service cart is warranted to be free from defects in materials and workmanship for a period of one (1) year from the date of original purchase. If this product is defective, please call 1-866-458-2472 (8:00 a.m. to 5:00 p.m., CST). If the product is defective, we will replace the defective part at no cost to you. Please do not ship your product back to the store or to us unless we send you written instructions for return. In the event it becomes necessary for your product to be returned, we will notify you how to proceed. A copy of your original purchase receipt must accompany the returned product.

WARRANTY CLAIM PROCEDURE

If a claimable defect occurs, please fill out a claim form through our website at: www.qualitycraft.com or contact our customer service department at 1-866-458-2472 (8:00 a.m. to 5:00 p.m., CST).

Before you make your claim call, please make sure you have:

1. The description of the service cart
2. Proof of sale
3. Details regarding the defect
4. Name and address of the owner.

Claims must be filled out in writing and returned within six (6) months of appearance of defect. Failure to comply with this stipulation will make the warranty null and void. We reserve the right to a thirty-day (30) delay following receipt of claim in which to inspect the product. We assume no responsibility for labor costs or removing/replacing a previously installed product or transportation or return of a product.

IMPORTED BY

Great Neck Saw
1-866-458-2472

Made in China