



This Manual applies to item numbers  
37386, 37387 and 37388  
Este manual se aplica a los números  
de artículo 37386, 37387 y 37388

**37389**

**Ball Joint  
Master Service Set**

**Juego de servicio  
maestro de rótula**



**Cars/Trucks/Vans/SUVs**

**Voitures/camions/fourgonnettes/VUS**

Please read and save these instructions. Read through this owner's manual carefully before using product. Protect yourself and others by observing all safety information, warnings, and cautions. Failure to comply with instructions could result in personal injury and/or damage to product or property. Please retain instructions for future reference.



# BALL JOINT MASTER SERVICE SET

## FOR CUSTOMER SERVICE

Technical Question?

**CALL 1-866-458-2472**  
**customerservice@oem-tools.com**

## UNPACKING

After unpacking the unit, inspect carefully for any damage that may have occurred during transit. Check for loose, missing or damaged parts. If any damage is observed, a shipping damage claim must be filed with the carrier. Do not use the OEMTOOLS® Ball Joint Master Service Set if broken, bent, cracked or damaged parts (including labels) are noted. Any Ball Joint Master Service Set that appears damaged in any way, operates abnormally or is missing parts should be removed from service immediately. If you suspect that the Ball Joint Master Service Set was subjected to a shock load (a load that was dropped suddenly, unexpectedly, etc.) immediately discontinue use until it has been checked by a factory authorized service center.



Case 1 of 2



Case 2 of 2

## ⚠ WARNING

The following safety information is provided as a guideline to help you operate your Ball Joint Master Service Set under the safest possible conditions. Any tool or piece of equipment can be potentially dangerous to use when safety or safe handling instructions are not known or not followed. The following safety instructions are to provide the user with the information necessary for safe use and operation. Please read and retain these instructions for the continued safe use of your Set. Failure to follow instructions listed below may result in serious injury. In addition, make sure that anyone who uses the equipment understands and follows these safety instructions as well.

## Explanation of Safety Signal Words

**⚠WARNING:** Indicates a potentially hazardous situation which, if not avoided, could result in death or serious injury.

**⚠CAUTION:** Indicates a potentially hazardous situation which, if not avoided, may result in minor or moderate injury.

**CAUTION:** Used without the safety alert symbol indicates a potentially hazardous situation which, if not avoided, may result in property damage.

**NOTES:** Provide clarity and helpful information.

Thank you very much for choosing an OEMTOOLS® Product!

For future reference, please register your new tool at [www.oem-tools.com](http://www.oem-tools.com) and complete the owner's record below:

**Model:** \_\_\_\_\_ **Purchase Date:** \_\_\_\_\_

Save the receipt, warranty and these instructions. It is important that you read the entire manual to become familiar with this product before you begin using it. This product is designed for certain applications only. OEMTOOLS® cannot be responsible for issues arising from modification. We strongly recommend this product is not modified and/or used for any application other than that for which it was designed. If you have any questions relative to a particular application, DO NOT use the product until you have first contacted customer service to determine if it can or should be performed on the product.

**⚠WARNING:** This product can expose you to chemicals which are known to the State of California to cause cancer or reproductive defects. For more information, go to [www.p65warnings.ca.gov](http://www.p65warnings.ca.gov).



## BALL JOINT MASTER SERVICE SET

### **!** IMPORTANT INSTRUCTIONS AND SAFETY RULES

1. Know your tool. Read this manual carefully. Learn the tool's applications and limitations, as well as potential hazards specific to it.
2. Keep work area clean and well lit. Cluttered or dark work areas invite accidents.
3. Keep children away. All children should be kept away from the work area. Never let a child handle a tool without strict adult supervision.
4. Do not operate this tool if under the influence of alcohol or drugs. Read warning labels on prescriptions to determine if your judgment or reflexes are impaired while taking drugs. If there is any doubt, do not attempt to operate.
5. Use safety equipment. Eye protection should be worn at all times when operating this tool. Use ANSI approved safety glasses. Everyday eyeglasses are NOT safety glasses. Dust mask, non-skid safety shoes, hard hat or hearing protection should be used in appropriate conditions.
6. Wear proper apparel. Loose clothing, gloves, neck-ties, rings, bracelets or other jewelry may present a potential hazard when operating this tool. Keep all apparel clear of the tool.
7. Don't overreach. Keep proper footing and balance at all times when operating this tool.
8. Check for damage. Check your tool regularly. If part of the tool is damaged, it should be carefully inspected to make sure that it can perform its intended function correctly. If in doubt, the part should be repaired. Refer all servicing to a qualified technician. Consult your dealer for advice.
9. Keep away from flammables. Do not attempt to operate this tool near flammable materials or combustibles. Failure to comply may cause serious injury or death.
10. Store idle tools out of the reach of children and untrained persons. Tools may be dangerous in the hands of untrained users.
11. Maintain tools with care.
12. Keep tools dry and clean.
13. Properly maintained tools are less likely to bind and are easier to control. Do not use a damaged tool. Tag damaged tools "Do not use" until repaired.
14. Check for misalignment or binding of moving parts, breakage of parts, and any other condition that may affect the tool's operation.
15. If damaged, have the tool serviced before using. Many accidents are caused by poorly maintained tools.
16. Use only accessories that are recommended by the manufacturer for your model. Accessories that may be suitable for one tool may become hazardous when used on another tool.
17. Tool service must be performed only by qualified repair personnel. Service or maintenance performed by unqualified personnel could result in a risk of injury.
18. When servicing a tool, use only identical replacement parts. Use of unauthorized parts or failure to follow maintenance instructions may create a risk of injury.
19. Maintain a safe working environment. Keep the work area well lit. Make sure there is adequate surrounding workspace. Keep the work area free of obstructions, grease, oil, trash, and other debris. Do not use this product in a damp or wet location.
20. Maintain labels and name plates on this product. These carry important information. If unreadable or missing, contact OEMTOOLS® for a replacement.

21. Before use, read and understand all warnings, safety precautions, and instructions as outlined in the vehicle manufacturer's service manual. It is beyond the scope of this manual to properly describe the correct procedure and test data for each vehicle.
22. Always perform vehicle service in a properly ventilated area. Never run an engine without proper ventilation for its exhaust. Stop work and take necessary steps to improve ventilation in the work area if you develop momentary eye, nose, or throat irritation as this indicates inadequate ventilation.

### **!** WARNING

- Engine parts that are in motion and unexpected movement of a vehicle can injure or kill. When working near moving engine parts, wear snug fit clothing and keep hands and fingers away from moving parts. Keep hoses and tools clear of moving parts. Always stay clear of moving engine parts. Hoses and tools can be thrown through the air if not kept clear of moving engine parts. The unexpected movement of a vehicle can injure or kill. When working on vehicles, always set the parking brake and chock the wheels.
- Avoid accidental fire and/or explosion. Do not smoke near engine fuel and battery components.
- The warnings, precautions, and instructions discussed in this manual cannot cover all possible conditions and situations that may occur. The operator must understand that common sense and caution are factors which cannot be built into this product, but must be supplied by the operator.
- For safety purposes and the prevention of damage to expensive components, it is advised that the user have an understanding of basic automotive repair and a working knowledge of automotive systems.

**NOTE:** We believe the information contained herein to be reliable. However, general technical information is given by us without charge and the user shall employ such information at their own discretion and risk. We assume no responsibility for results or damages incurred from the use of such information in whole or in part. Always refer to specific instructions and technical information supplied by vehicle manufacturer.








**NOTE:** The manufacturer declines any and all responsibility for damage to vehicles or components if said damage is the result of unskillful handling by the operator or of failure to observe the basic safety rules set forth in the instruction manual.

- This equipment is intended only for professional use by personnel trained in performing the service functions for which it has been designed.
- This equipment is designed for servicing a variety of vehicles in a safe, convenient manner. However, differences in vehicle makes and models may make it impossible to use this equipment as it is intended. Do not attempt to force the use of this equipment on an application for which it is not designed to perform.
- The procedures documented in this manual are to serve as guidelines for the use of this equipment.
- In addition to these guidelines, always follow the manufacturer's recommended procedures when servicing each unique vehicle.



# BALL JOINT MASTER SERVICE SET



## ADAPTERS IN OEMTOOLS® PART NO. 37388 BALL JOINT MASTER SERVICE SET

 <b>A3</b>	 <b>A4</b>	 <b>A5</b>	 <b>A6</b>	 <b>A7</b>
 <b>A8</b>	 <b>A9</b>	 <b>A10</b>	 <b>A11</b>	 <b>A12</b>
 <b>A13</b>	 <b>A14</b>	 <b>A15</b>	 <b>A17</b>	 <b>A18</b>
 <b>A19</b>	 <b>A20</b>	 <b>A21</b>	 <b>A22</b>	 <b>A23</b>
 <b>A24</b>	 <b>A25</b>	 <b>A26</b>	 <b>A27</b>	 <b>A28</b>



# BALL JOINT MASTER SERVICE SET

## ADAPTERS IN OEMTOOLS® PART NO. 37388 BALL JOINT MASTER SERVICE SET

 <b>A29</b>	 <b>A30</b>	 <b>A31</b>	 <b>A32</b>	 <b>A33</b>
 <b>A34</b>	 <b>A35</b>	 <b>A36</b>	 <b>A37</b>	 <b>A38</b>
 <b>A39</b>	 <b>A40</b>	 <b>A41</b>	 <b>B1</b>	 <b>B2</b>
 <b>B3</b>	 <b>B4</b>	 <b>B5</b>	 <b>B6</b>	 <b>B7</b>
 <b>B8</b>	 <b>B9</b>	 <b>B10</b>	 <b>B11</b>	 <b>B12</b>



# BALL JOINT MASTER SERVICE SET

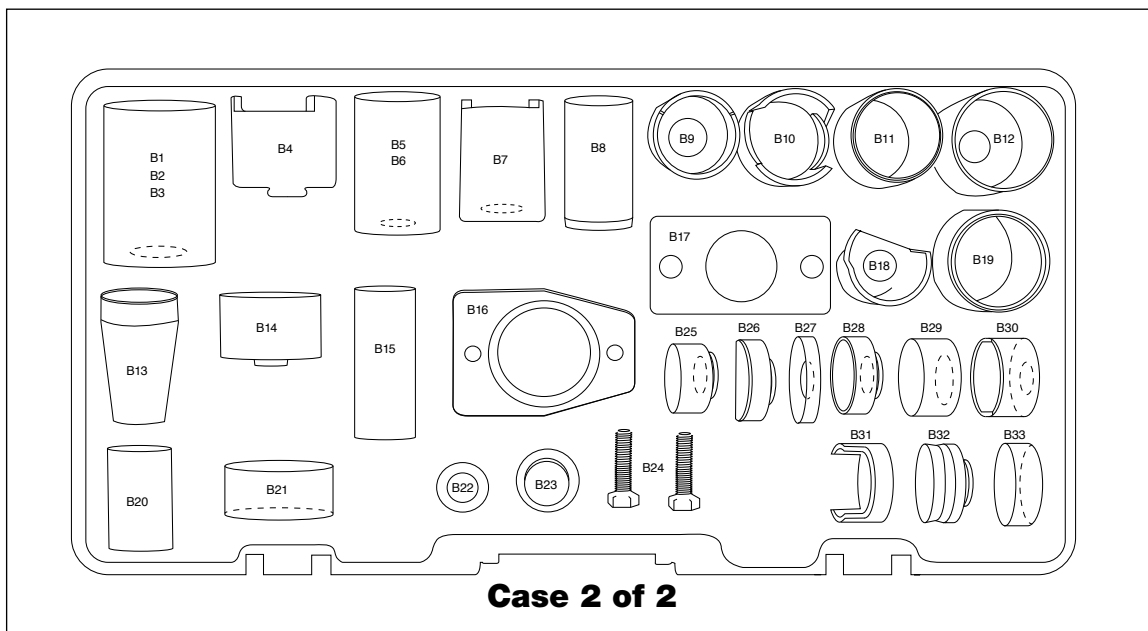
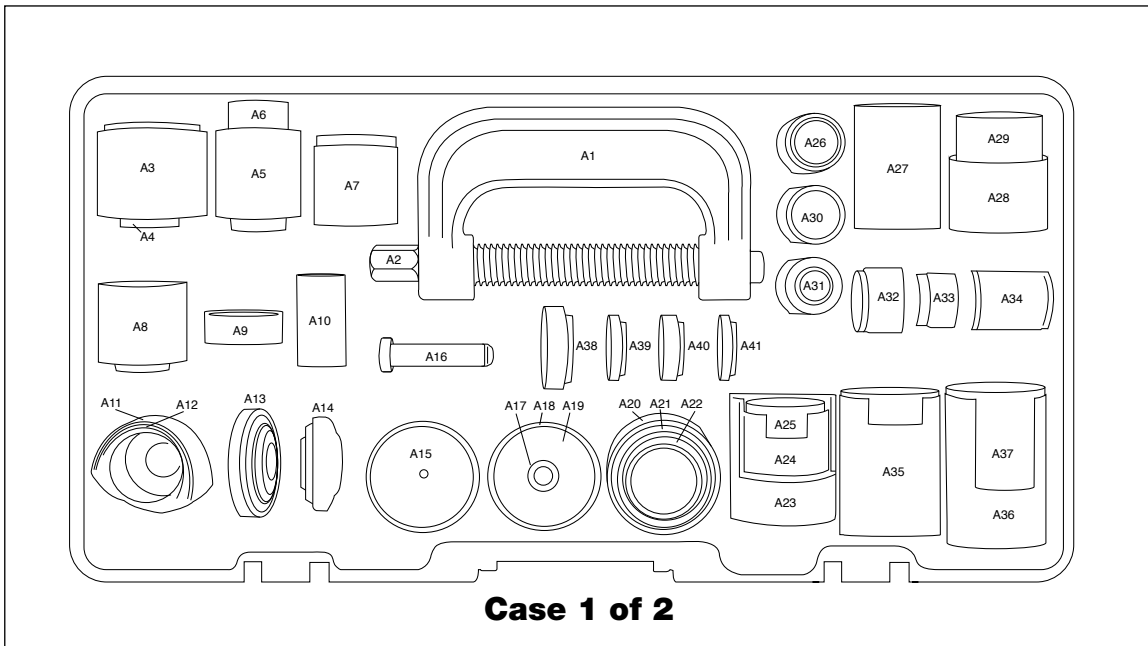
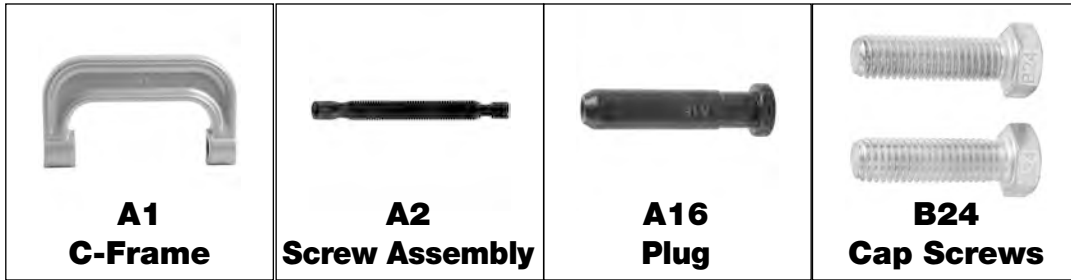
## ADAPTERS IN OEMTOOLS® PART NO. 37388 BALL JOINT MASTER SERVICE SET





# BALL JOINT MASTER SERVICE SET

## OTHER COMPONENTS IN OEMTOOLS® PART NO. 37388 BALL JOINT MASTER SERVICE SET





# BALL JOINT MASTER SERVICE SET

## OPERATING INSTRUCTIONS WARNING

### ⚠ WARNING

- Always read and understand the product manual and vehicle maintenance manual prior to use.
- Never place fingers, hands and other extremities between the ball joint press, adapters and control arm. There are many pinch points in this system that can cause serious personal injury.
- Pressing ball joints that are stuck in place may create a lot of pressure in this system. When this pressure is released, the tool and adapters may slip. Keep all body parts and tools clear of the system during the pressing procedure.
- ALWAYS WEAR SAFETY GLASSES AND GLOVES.

## PURPOSE

Used to remove and install pressed in type ball joints on most cars, vans, SUVs and light duty trucks. Press assembly will also service many U-joints.

The OEMTOOLS® Ball Joint Master Service Set includes 2 cases.

- Case #1 of 2 includes the C-frame and 40 pieces
- Case #2 of 2 includes 33 pieces

## INSTRUCTIONS

### BALL JOINT REMOVAL

**NOTE:** Some vehicles may have spot welds or snap rings that hold the ball joint in place. These must be removed prior to service.

1. Reference vehicle maintenance manual for vehicle specific repair procedures and precautions. Select appropriate adapters for vehicle.
2. Place C-frame around selected adapter combination and tighten forcing screw until tight. Verify direction of forcing screw travel is consistent with direction needed to press the ball joint out.

**NOTE:** Ensure alignment of forcing screw prior to step 3.

3. Continue to tighten forcing screw until ball joint is pressed out.

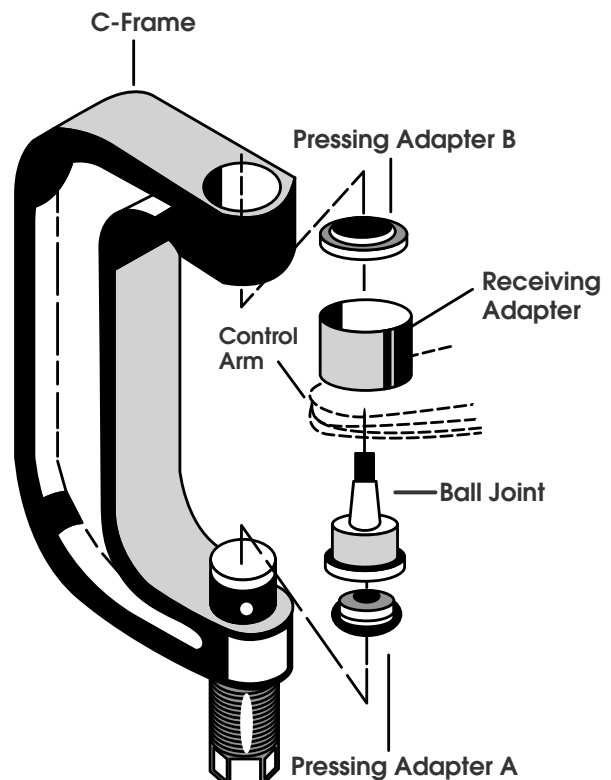
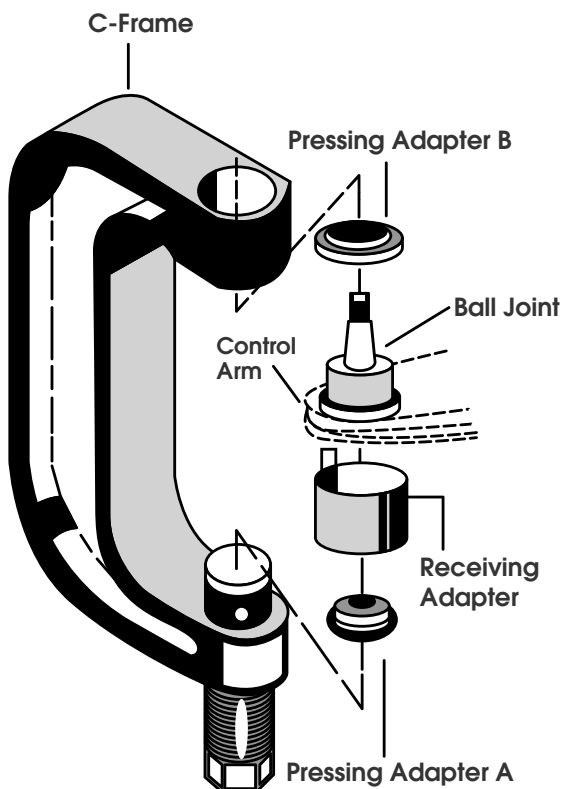
## INSTRUCTIONS

### BALL JOINT INSTALLATION

1. Clean the control arm and coat with a suitable lubricant.
2. Reference vehicle maintenance manual for vehicle specific repair procedures and precautions. Select appropriate adapters for the vehicle.
3. Place the C-frame around selected adapter combination and tighten forcing screw until tight. Verify that the direction of the forcing screw travel is consistent with direction needed to press the new ball joint into place.

**NOTE:** Ensure alignment of forcing screw prior to step 4.

4. Continue to tighten forcing screw until the ball joint is securely seated.



**BALL JOINT APPLICATION CHART**

<b>Make</b>	<b>Model</b>	<b>Year</b>	<b>Type</b>	<b>Position</b>	<b>Location</b>	<b>Removal Tools</b>	<b>Installation Tools</b>	<b>Comments</b>
Acura	CL 2.2L	1997	Car	Lower	Front	A5, A31, A16	A41, A27 or A37, A16	Ball joint in spindle instead of control arm
Acura	CL 2.3L	1998-1999	Car	Lower	Front	A5, A31, A16	A41, A27 or A37, A16	Ball joint in spindle instead of control arm
Acura	CL 3.2L	2001-2003	Car	Lower	Front	A5, A31, A16	A41, A27 or A37, A16	Ball joint in spindle instead of control arm
Acura	CL 3.2L	2001-2003	Car	Upper	Front	A22 & A13, A10, A16	A37, A39, A16	N/A
Acura	CL 3.0L	1997-1999	Car	Lower	Front	A5, A31	A41, A27 or A37, A16	Ball joint in spindle instead of control arm
Acura	Integra	1994-2001	Car	Lower	Front	A6, A8, A16	A41, A27, A16	N/A
Acura	MDX	2001-2006	SUV	Lower	Front	A33, A4	A7 or A13 & A22, A38, & B2	N/A
Acura	RL 3.5L	1996-2008	Car	Lower	Front	A6, A8, A16	A27, A39, A16	N/A
Acura	RSX	2002-2006	Car	Lower	Front	A22 & A13, A32, A16	A27	N/A
Acura	TL	2007-2008	Car	Lower	Front	B18, A6, A16	A37, A41	N/A
Acura	TL 2.5L	1996-1999	Car	Lower	Front	B18, A6, A16	A39, A27, A16	N/A
Acura	TL 3.2L	1996-1998	Car	Lower	Front	A12, A6, A16	A27, A16	N/A
Acura	TL 3.2L	1999-2003	Car	Lower	Front	A31, A137	A37, or A27, A41	NA
Acura	TL 3.2L	1999-2003	Car	Upper	Front	A22 & A13, A10, A16	A37, A39, A16	N/A
Acura	TL 3.2L	2004-2006	Car	Lower	Front	B18, A6, A16	Top of C-frame or A41, A37, A16	N/A
Acura	TSX	2004-2008	Car	Lower	Front	A12, A6, A16	A27, A40, A16	N/A
Acura	TSX	2004-2008	Car	Upper	Front	A22 & A13, A10, A16	A37, A39, A16	N/A
BMW	318 (E36)	Before 1999	Car	Lower	Front inner	A33, A4	A13, A19, A9	N/A
BMW	318 (E36)	Before 1999	Car	Lower	Front outer	A14, B10, B25	A7, A14, B31	N/A
BMW	323 (E36)	Before 1999	Car	Lower	Front inner	A33, A4	A13, A19, A9	N/A
BMW	323 (E36)	Before 1999	Car	Lower	Front outer	A14, B10, B25	A7, A14, B31	N/A
BMW	328 (E36)	Before 1999	Car	Lower	Front inner	A33, A4	A13, A19, A9	N/A
BMW	328i (E36)	Before 1999	Car	Lower	Front outer	A14, B10, B25	A7, A14, B31	N/A
BMW	M3 (E36)	Before 1999	Car	Lower	Front inner	A33, A4	A13, A19, A9	N/A
BMW	M3 (E36)	Before 1999	Car	Lower	Front outer	A14, B10, B25	A7, A14, B31	N/A
Buick	LeSabre	1986-1999	Car	Lower	Rear	A7, A6, A16	A37, A39, A16	N/A
Buick	Park Avenue	1991-1997	Car	Lower	Rear	A7, A6, A16	A37, A39, A16	N/A
Buick	Rainier	2004-2007	SUV	Lower	Front	A18 & A13	A7, A38	N/A
Buick	Rainier	2004-2007	SUV	Upper	Front	A7, B20, A16	A33, A29, A16	N/A
Buick	Roadmaster	1991-1996	Car	Lower	Front	A32, A20, A14, A16	A11 & A13, A19, A16	N/A
Cadillac	CTS	2003-2008	Car	Lower	Front	A21 & A14, A39, A16	A21 & A13, A38, A16	N/A
Cadillac	DeVille	1997-2005	Car	Lower	Front	A20, A21, A13, A14	A21 & A14	HD suspension, Limo/Commercial Chassis

<b>Make</b>	<b>Model</b>	<b>Year</b>	<b>Type</b>	<b>Position</b>	<b>Location</b>	<b>Removal Tools</b>	<b>Installation Tools</b>	<b>Comments</b>
Cadillac	Escalade	1999-2000	SUV	Lower	Front	A18 & A13	A14 & A21, A28	N/A
Cadillac	Escalade	2002-2007	SUV	Lower	Front	A13 & A11	A38 or A14 & B33, A28	N/A
Cadillac	Escalade	2002-2007	SUV	Upper	Front	A28, B6, A16	B27, A37 & A4, A16	N/A
Cadillac	Fleetwood	1993-1996	Car	Lower	Front	A32, A20, A14, A16	A11 & A13, A19, A16	N/A
Cadillac	XLR	2004-2009	Car	Upper	Front	A33, A4	A22, A13, A40	N/A
Cadillac	XLR	2007-2009	Car	Lower	Front	A21, A14, A32	A28, A19	N/A
Cadillac	XLR-V	2006-2009	Car	Lower	Front	A21, A14, A32	A28, A19	N/A
Cadillac	XLR-V	2006-2009	Car	Upper	Front	A33, A4	A22, A13, A40	N/A
Chevrolet	1500 2WD	1998-1999	Truck	Lower	Front	B29, A20, A14, A16	A13 & A20, A19, A16	N/A
Chevrolet	1500 4WD	1996-1999	Truck	Lower	Front	A18 & A13	A14 & A21, A28	N/A
Chevrolet	2500 2WD	1998-2000	Truck	Lower	Front	B29, A20, A14, A16	A13 & A20, A19, A16	N/A
Chevrolet	2500 2WD w/7200 Lb.	1991-1992	Truck	Lower	Front	A13 & A21, A20 & A14	A13 & A20, A19, A16	N/A
Chevrolet	2500 2WD w/8600 Lb. GVW	1991-1992	Truck	Lower	Front	A13 & A21, A20 & A14	A13 & A20, A19, A16	N/A
Chevrolet	2500 4WD	1996-1999	Truck	Lower	Front	A18 & A13	A14 & A21, A28	N/A
Chevrolet	3500 2WD w/IFS	1998-2000	Truck	Lower	Front	A20, A14, B29	A20, A13, A19	N/A
Chevrolet	3500 2WD w/IFS; 5th digit of VIN is C	1991-1992	Truck	Lower	Front	A13 & A21, A20 & A14	A13 & A20, A19, A16	N/A
Chevrolet	3500 4WD	1996-1999	Truck	Lower	Front	A18 & A13	A14 & A21, A28	N/A
Chevrolet	Astro 2WD	1985-2005	Van	Lower	Front	A32, A20 & A14	A28, A21 or B33 & A14	N/A
Chevrolet	Avalanche 1500 2WD/4WD	2002-2008	Truck	Upper	Front	A28, B6, A16	B27, A37 & A4, A16	N/A
Chevrolet	Avalanche 1500 2WD/4WD	2002-2014	Truck	Lower	Front	A13 & A11	A38 or A14 & B33, A28	N/A
Chevrolet	Avalanche 2500 2WD/4WD	2002-2006	Truck	Lower	Front	A18 & A13	A38, A28 or A21 & A13	N/A
Chevrolet	Avalanche 2500 2WD/4WD	2002-2006	Truck	Upper	Front	B30, B15, A16	A39, B5, A16	N/A
Chevrolet	Blazer	1982-2005	SUV	Lower	Front	A32, A20, A14, A16	A11 & A13, A19, A16	N/A
Chevrolet	Camaro	1970-2002	Car	Lower	Front	A32, A20, A14, A16	A11 & A13, A19, A16	N/A
Chevrolet	Caprice	1977-1996	Car	Lower	Front	A32, A20, A14, A16	A11 & A13, A19, A16	N/A
Chevrolet	Corvette	1984-1996	Car	Lower	Front	A14 & A21, A20 & A13	A13 & A21, A39	N/A
Chevrolet	Corvette	1997-2011	Car	Lower	Front	A21 & A14, A32, A16	A28, A19, A16	N/A
Chevrolet	Corvette	1997-2011	Car	Upper	Front	A33, A4	A22 & A13, A40	N/A
Chevrolet	Express 1500	1996-2002	Van	Lower	Front	B29, A20, A14, A16	A13 & A20, A19, A16	N/A
Chevrolet	Express 1500	2003-2014	Van	Lower	Front	A13 & A11	A38 or A14 & B33, A28 or A21 & A13	N/A
Chevrolet	Express 1500	2003-2014	Van	Upper	Front	A28, B6, A16	B27, A37 & A4, A16	N/A
Chevrolet	Express 2500	1996-2002	Van	Lower	Front	B29, A20, A14, A16	A13 & A20, A19, A16	N/A
Chevrolet	Express 2500 w/7300 Lb. GVW	2003-2008	Van	Lower	Front	A13 & A11	A38 or A14 & B33, A28	N/A
Chevrolet	Express 2500 w/7300 Lb. GVW	2003-2008	Van	Upper	Front	A28, B6, A16	B27, A37 & A4, A16	N/A
Chevrolet	Express 2500 w/8500 Lb. GVW	2003-2016	Van	Lower	Front	A23	A38, A21 & A13 or A28	N/A
Chevrolet	Express 2500 w/8500 Lb. GVW	2003-2017	Van	Upper	Front	B30, A32 & B20, A16	A39, A37, A16	N/A

<b>Make</b>	<b>Model</b>	<b>Year</b>	<b>Type</b>	<b>Position</b>	<b>Location</b>	<b>Removal Tools</b>	<b>Installation Tools</b>	<b>Comments</b>
Chevrolet	Express 3500	1996-2016	Van	Lower	Front	A23	A38, A21 & A13 or A28	N/A
Chevrolet	Express 3500	2003-2017	Van	Upper	Front	B30, A32 & B20, A16	A39, A37, A16	N/A
Chevrolet	Impala	1994-1996	Car	Lower	Front	A32, A20, A14, A16	A11 & A13, A19, A16	N/A
Chevrolet	S-10	1982-2005	Truck	Lower	Front	A32, A20, A14, A16	A11 & A13, A19, A16	N/A
Chevrolet	Silverado 1500 2WD/4WD	1999-2006	Truck	Upper	Front	A28, B6, A16	B27, A37 & A4, A16	N/A
Chevrolet	Silverado 1500 2WD/4WD Old Style	2007	Truck	Upper	Front	A28, B6, A16	B27, A37 & A4, A16	N/A
Chevrolet	Silverado 1500 4WD	1999-2016	Truck	Lower	Front	A13 & A11	A38 or A14 & B33, A28	N/A
Chevrolet	Silverado 1500 4WD Old Style	2007	Truck	Lower	Front	A13 & A11	A38 or A14 & B33, A28	N/A
Chevrolet	Silverado 1500 HD 2WD/4WD	2001-2007	Truck	Lower	Front	A18 & A13	A38, A28 or A21 & A13	N/A
Chevrolet	Silverado 1500 HD 2WD/4WD	2001-2007	Truck	Upper	Front	B30, B15, A16	A39, B5, A16	N/A
Chevrolet	Silverado 2500 & 2500 HD 4WD	1999	Truck	Lower	Front	A18 & A13	A38, A28 or A21 & A13	N/A
Chevrolet	Silverado 2500 & 2500 HD 4WD	1999-2020	Truck	Upper	Front	B30, B15, A16	A39, B5, A16	N/A
Chevrolet	Silverado 2500 2WD	1999-2000	Truck	Upper	Front	B30, A32 & B20, A16	A39, A37, A16	N/A
Chevrolet	Silverado 2500 2WD/4WD	2001-2007	Truck	Lower	Front	A18 & A13	A38, A28 or A21 & A13	N/A
Chevrolet	Silverado 2500 2WD/4WD	2001-2007	Truck	Upper	Front	B30, B15, A16	A39, B5, A16	N/A
Chevrolet	Silverado 2500 4WD	2000	Truck	Lower	Front	A18 & A13	A38, A28 or A21 & A13	N/A
Chevrolet	Silverado 2500 4WD	2000	Truck	Upper	Front	B30, B15, A16	A39, B5, A16	N/A
Chevrolet	Silverado 2500 HD 2WD/4WD	2001-2010	Truck	Lower	Front	A18 & A13	A38, A28 or A21 & A13	N/A
Chevrolet	Silverado 2500 HD 2WD/4WD	2001-2010	Truck	Upper	Front	B30, B15	A39, B5	N/A
Chevrolet	Silverado 2500 HD 2WD/4WD	2001-2010	Truck	Upper	Front	B30, B15, A16	A39, B5, A16	N/A
Chevrolet	Silverado 2500 HD 2WD/4WD	2001-2017	Truck	Lower	Front	A18, A13	A38, A28 or A21, A13	N/A
Chevrolet	Silverado 3500 2WD/4WD	2001-2010	Truck	Lower	Front	A18 & A13	A38, A28 or A21 & A13	N/A
Chevrolet	Silverado 3500 2WD/4WD	2001-2010	Truck	Upper	Front	B30, B15, A16	A39, B5, A16	N/A
Chevrolet	SSR	2003-2006	Truck	Lower	Front	A18, A13	A7, A38	N/A
Chevrolet	SSR	2003-2006	SUV	Lower	Front	A18 & A13	A7, A38	N/A
Chevrolet	SSR	2003-2006	Truck	Upper	Front	A7, B20	A33, A29	N/A
Chevrolet	SSR	2003-2006	SUV	Upper	Front	A7, B20, A16	A33, A29, A16	N/A
Chevrolet	Suburban 1500 2WD	1992	Truck	Lower	Front	A13 & A21, A20 & A14	A13 & A20, A19, A16	N/A
Chevrolet	Suburban 1500 2WD	1993-1999	SUV	Lower	Front	B29, A20, A14, A16	A13 & A20, A19, A16	N/A
Chevrolet	Suburban 1500 2WD/4WD	2000-2006	SUV	Upper	Front	A28, B6, A16	B27, A37 & A4, A16	N/A
Chevrolet	Suburban 1500 2WD/4WD	2000-2017	SUV	Lower	Front	A13 & A11	A38 or A14 & B33, A28 or A21 and A13	N/A
Chevrolet	Suburban 1500 4WD	1996-1999	SUV	Lower	Front	A18 & A13	A14 & A21, A28	N/A
Chevrolet	Suburban 2500 2WD	1992	Truck	Lower	Front	A13 & A21, A20 & A14	A13 & A20, A19, A16	N/A
Chevrolet	Suburban 2500 2WD	1993-1999	SUV	Lower	Front	B29, A20, A14, A16	A13 & A20, A19, A16	N/A
Chevrolet	Suburban 2500 2WD	2000	SUV	Upper	Front	B30, A32 & B20, A16	A39, A37, A16	N/A
Chevrolet	Suburban 2500 2WD/4WD	2001-2008	SUV	Lower	Front	A18 & A13	A38, A28 or A21 & A13	N/A

Make	Model	Year	Type	Position	Location	Removal Tools	Installation Tools	Comments
Chevrolet	Suburban 2500 2WD/4WD	2001-2011	SUV	Upper	Front	B30, B15, A16	A39, B5, A16	N/A
Chevrolet	Suburban 2500 4WD	1996-1999	SUV	Lower	Front	A18 & A13	A14 & A21, A28	N/A
Chevrolet	Suburban 2500 4WD	2000	SUV	Lower	Front	A18 & A13	A38, A28 or A21 & A13	N/A
Chevrolet	Suburban 2500 4WD	2000	SUV	Upper	Front	B30, B15, A16	A39, B5, A16	N/A
Chevrolet	Tahoe	1999-2000	SUV	Lower	Front	A20, A14, B29	A20, A13, A19	N/A
Chevrolet	Tahoe 2WD	1995-1999	SUV	Lower	Front	B29, A20, A14, A16	A13 & A20, A19, A16	N/A
Chevrolet	Tahoe 2WD New Style, Exc. Limited	2000	SUV	Lower	Front	A13 & A11	A38 or A14 & B33, A28	N/A
Chevrolet	Tahoe 2WD New Style, Exc. Limited	2000	SUV	Upper	Front	A28, B6, A16	B27, A37 & A4, A16	N/A
Chevrolet	Tahoe 2WD/4WD	2001-2006	SUV	Upper	Front	A28, B6, A16	B27, A37 & A4, A16	N/A
Chevrolet	Tahoe 2WD/4WD	2001-2016	SUV	Lower	Front	A13 & A11	A38 or A14 & B33, A28	N/A
Chevrolet	Tahoe 2WD/4WD	2007-2008	SUV	Lower	Front	A13 & A11, A16	A14 & B33, A13 & A21	N/A
Chevrolet	Tahoe 4WD	1996-2000	SUV	Lower	Front	A18 & A13	A14 & A21, A28	N/A
Chevrolet	Tahoe 4WD New Style, Exc. Z71	2000	SUV	Lower	Front	A13 & A11	A38 or A14 & B33, A28	N/A
Chevrolet	Tahoe 4WD New Style, Exc. Z71	2000	SUV	Upper	Front	A28, B6, A16	B27, A37 & A4, A16	N/A
Chevrolet	Trailblazer 2WD/4WD	2002-2009	SUV	Lower	Front	A18 & A13	A7, A38	N/A
Chevrolet	Trailblazer 2WD/4WD	2002-2009	SUV	Upper	Front	A7, B20, A16	A33, A29, A16	N/A
Chevrolet	Trailblazer EXT 2WD/4WD	2003-2007	SUV	Lower	Front	A18 & A13	A7, A38	N/A
Chevrolet	Trailblazer EXT 2WD/4WD	2003-2007	SUV	Upper	Front	A7, B20, A16	A33, A29, A16	N/A
Chrysler	200	2011-2014	Car	Lower	Front	B23, A36	A37, B26	N/A
Chrysler	300	2005-2017	Car	Lower	Front	B17, B16, A3	A7, A38	N/A
Chrysler	Aspen 2WD/4WD	2007-2009	SUV	Lower	Front	B4, A16	A13 & A21 or A28, B33	N/A
Chrysler	Cirrus	1995-2000	Car	Upper	Front	A7, A32, A16	A37, A39, A16	N/A
Chrysler	Cirrus	1995-2000	Car	Upper	Rear	A7, A32, A16	A37, A39, A16	N/A
Chrysler	Grand Voyager	2000	Van	Lower	Front	A33, A29 or A22 & A14	A37 or A22 & A13, A39	N/A
Chrysler	Neon	2000-20002	Car	Lower	Front	B6, B9	A29, A39	N/A
Chrysler	Pacifica FWD/AWD	2005-2008	SUV	Lower	Front	A33, A29	A37, A39	N/A
Chrysler	PT Cruiser	2001-2010	Car	Lower	Front	A32, B9, A16	A29, A39, A16	N/A
Chrysler	Sebring Convertible	2007	Car	Lower	Front	B23, A36, A16	A37, B26, A16	N/A
Chrysler	Sebring Convertible	1996-2006	Car	Upper	Front	A7, A32, A16	A37, A39, A16	N/A
Chrysler	Sebring Convertible	1996-2006	Car	Upper	Rear	A7, A32, A16	A37, A39, A16	N/A
Chrysler	Sebring Coupe	2001-2005	Car	Lower	Front	A6, A7, A16	A27, A9 & A13, A16	N/A
Chrysler	Sebring Sedan	1996-2006	Car	Upper	Front	A7, A32, A16	A37, A39, A16	N/A
Chrysler	Sebring Sedan	2001-2006	Car	Upper	Rear	A7, A32, A16	A37, A39, A16	N/A
Chrysler	Sebring Sedan	2007-2008	Car	Lower	Front	B23, A36	A37, B26	N/A
Chrysler	Town & Country	1991-2007	Van	Lower	Front	A33, A29 or A22 & A14	A37 or A22 & A13, A39	N/A
Chrysler	Town & Country	2008-2016	Van	Lower	Front	A14, A33, A11	A38, A13, A11	N/A
Chrysler	Voyager	2000	Van	Lower	Front	A33, A29 or A22 & A14	A37 or A22 & A13, A39	N/A

Make	Model	Year	Type	Position	Location	Removal Tools	Installation Tools	Comments
Dodge	Avenger	2008-2014	Car	Lower	Front	B23, A36, A16	A37, B26, A16	N/A
Dodge	Caliber FWD/AWD	2007-2012	Car	Lower	Front	A33, A29	A29, A32	N/A
Dodge	Caravan	1991-2000	Van	Lower	Front	A33, A29	A37, (or A22 & A13), A39	N/A
Dodge	Caravan	2001-2007	Van	Lower	Front	A33, A29	A22, A13, A39	N/A
Dodge	Challenger	2008-2017	Car	Lower	Front	B17, B16, A3	A7, A38	N/A
Dodge	Charger	2005-2016	Car	Lower	Front	B17, B16, A3	A7, A38	N/A
Dodge	Colt	1984-1994	Car	Lower	Front	A33, A29	A7	N/A
Dodge	Dakota 2WD	1987-1996	Truck	Lower	Front	B29, B19 & A14	A13 & A21, B27 or A38	N/A
Dodge	Dakota 2WD/4WD	2005-2011	Truck	Lower	Front	B12	A38, A28	N/A
Dodge	Dakota 4WD	1987-1996	Truck	Lower	Front	A13 & A9, A14 & A21	A28, A38 & B2, A16	N/A
Dodge	Dakota 4WD	1997-2004	Truck	Lower	Front	A13 & A21 or A28	A7, B33 & A14	N/A
Dodge	Durango 2WD/4WD	2004-2009	SUV	Lower	Front	B4, A16	A13 & A21 or A28, B33	N/A
Dodge	Durango 4WD	1998-2003	SUV	Lower	Front	A13 & A21 or A28	A7, B33 & A14	N/A
Dodge	Grand Caravan	1991-2007	Van	Lower	Front	A33, A29 or A22 & A14	A37 or A22 & A13, A39	N/A
Dodge	Grand Caravan	2001-2007	Van	Lower	Front	A33, A29	A13 & A22, A39	N/A
Dodge	Grand Caravan	2008-2016	Van	Lower	Front	A14, A33, A11	A38, A13, A11	N/A
Dodge	Journey	2009-2017	SUV	Lower	Front	B23, A36	A37, B26	N/A
Dodge	Magnum RWD	2005-2008	Car	Lower	Front	B17, B16, A3	A7, A38	N/A
Dodge	Neon	1995-1999	Car	Lower	Front	A32, A7, A16	A27, A39, A16	N/A
Dodge	Neon	2000-2005	Car	Lower	Front	A32, B9, A16	A29, A39, A16	N/A
Dodge	Nitro 2WD/4WD	2007-2011	SUV	Lower	Front	B4	A38, A28	N/A
Dodge	Ram 1500 w/rack & pinion steering	2006-2008, 2012	Truck	Upper	Front	A21 (or B11), A14, A32	A38 (or B27), B5	N/A
Dodge	Ram 1500 2WD	1994-1996	Truck	Lower	Front	A20 & A13	A14 & B33, A7	N/A
Dodge	Ram 1500 2WD	1994-1999	Truck	Upper	Front	A13 & B21, A26, A16	B27 or A38, A36, A16	N/A
Dodge	Ram 1500 2WD	1997-1999	Truck	Lower	Front	A20 & A13	A14 & B33, A13 & A21	N/A
Dodge	Ram 1500 2WD/4WD	2002-2012	Truck	Lower	Front	B4	A38, A21	N/A
Dodge	Ram 1500 4WD	1994-1999	Truck	Lower	Front	A33, A35 or A37	A29, B28	N/A
Dodge	Ram 1500 4WD	1994-2001	Truck	Upper	Front	A35, A33	A29, B28	N/A
Dodge	Ram 1500 4WD w/216 FBI Axle	2000-2001	Truck	Lower	Front	A33, A35 or A37	A29, B28	N/A
Dodge	Ram 1500 4WD w/216 FBI Axle	2000-2001	Truck	Upper	Front	A35, A33	A29, B28	N/A
Dodge	Ram 1500 4WD w/248 FBI Axle	2000-2001	Truck	Lower	Front	A33, A35 or A37	A29, B28	N/A
Dodge	Ram 1500 4WD w/248 FBI Axle	2000-2001	Truck	Upper	Front	A35, A33	A29, B28	N/A
Dodge	Ram 1500 Mega Cap	2006-2008	Truck	Lower	Front	A23	A21 & A13 (or A28), A38	N/A
Dodge	Ram 1500 Mega Cap w/rack & pinion steering	2006-2008	Truck	Lower	Front	A33, B1	A38, B5	N/A
Dodge	Ram 1500 Mega Cap w/rack & pinion steering	2006-2008	Truck	Upper	Front	A21 (or B11), A14, A32	A38 (or B27), B5	N/A

Make	Model	Year	Type	Position	Location	Removal Tools	Installation Tools	Comments
Dodge	Ram 1500 Mega Cab Light Duty	2006-2008	Truck	Lower	Front	B4	A21, A38, A13	N/A
Dodge	Ram 1500 Mega Cab 2WD/4WD w/ conventional steering	2006-2008	Truck	Upper	Front	B30, B15	A14 (sometimes w/B5), A39 (or A38), B5	N/A
Dodge	Ram 2500	2003-2013	Truck	Lower	Front	A23	A21 & A13 (or A28), A38	N/A
Dodge	Ram 2500 w/rack & pinion steering	2003-2013	Truck	Lower	Front	A33, B1	A38, B5	N/A
Dodge	Ram 2500 w/rack & pinion steering	2006-2013	Truck	Upper	Front	A21 (or B11), A14, A32	A38 (or B27), B5	N/A
Dodge	Ram 2500 2WD	1994-1999	Truck	Lower	Front	A20 & A13	A14 & B33, A7	N/A
Dodge	Ram 2500 2WD	1994-1999	Truck	Upper	Front	A13 & B21, A26, A16	B27 or A38, A36, A16	N/A
Dodge	Ram 2500 4WD w/Dana 44 Axle	1994-1999	Truck	Upper	Front	A35, A33	A29, B28	3500/3850 Lb. axle
Dodge	Ram 2500 4WD w/Dana 44 Axle	1996-1999	Truck	Lower	Front	A33, A35 or A37	A29, B28	3500/3850 Lb. axle
Dodge	Ram 2500 4WD w/Dana 60	1994-1999	Truck	Lower	Front	A13 & B11	A7, A38 or B33 & A14	4500 Lb. axle
Dodge	Ram 2500 4WD w/Dana 60	1994-1999	Truck	Upper	Front	A21 or A13 & B11	A13 & A22, A38	4500 Lb. axle
Dodge	Ram 2500 Mega Cab w/conventional steering	2006-2010	Truck	Lower	Front	A33, B1	A38, B5	N/A
Dodge	Ram 2500 Mega Cab w/conventional steering	2003-2017	Truck	Upper	Front	B30, B15	A14, (sometimes with B5), A39 (or A38), B5	N/A
Dodge	Ram 3500	2003-2013	Truck	Lower	Front	A23	A21 & A13 (or A28), A38	N/A
Dodge	Ram 3500 w/rack & pinion steering	2006-2012	Truck	Lower	Front	A33, B1	A38, B5	N/A
Dodge	Ram 3500 w/rack & pinion steering	2006-2012	Truck	Upper	Front	A21 (or B11), A14, A32	A38 (or B27), B5	N/A
Dodge	Ram 3500 w/conventional steering	2003-2017	Truck	Upper	Front	B30, B15	A14, (sometimes with B5), A39 (or A38), B5	N/A
Dodge	Ram 3500 2WD w/IFS	1994-1999	Truck	Lower	Front	A20 & A13	A14 & B33, A7	N/A
Dodge	Ram 3500 2WD w/IFS	1994-1999	Truck	Upper	Front	A13 & B21, A26, A16	B27 or A38, A36, A16	N/A
Dodge	Ram 3500 4WD	1996-1999	Truck	Lower	Front	A13 & B11	A7, A38 or B33 & A14	N/A
Dodge	Ram 3500 4WD	1996-1999	Truck	Upper	Front	A21 or A13 & B11	A13 & A22, A38	N/A
Dodge	Ram 3500 4WD w/Solid Front Axle	1994-1999	Truck	Lower	Front	A13 & B11	A7, A38 or B33 & A14	N/A
Dodge	Ram 3500 4WD w/Solid Front Axle	1994-1999	Truck	Upper	Front	A21 or A13 & B11	A13 & A22, A38	N/A
Dodge	Ram 3500 Mega Cab w/conventional steering	2006-2010	Truck	Upper	Front	B30, B15	A14 (sometimes w/B5), A39 (or A38), B5	N/A
Dodge	Ram 3500 HD w/conventional steering	2006-2017	Truck	Upper	Front	B30, B15	A14 (sometimes w/B5), A39 (or A38), B5	N/A
Dodge	Ram Van 1500/2500	1995-2003	Van	Lower	Front	B29, B19 & A14	A13 & A21, B27 or A38	N/A
Dodge	Ram Van 3500 w/3600 Lb. Axle	1995-2003	Van	Lower	Front	B29, B19 & A14	A13 & A21, B27 or A38	N/A
Dodge	Ram Van 3500 w/4000 Lb. Axle	1995-2003	Van	Lower	Front	A20, A14, B29	A20, A13, A19	N/A
Dodge	Ram Van B100/150/200/250/300/350 w/standard suspension	1971-1994	Van	Lower	Front	B19, A14, B29	A21, A13, B27, (or A38)	N/A
Dodge	Ram Van B100/150/200/250/300/350 w/heavy-duty suspension	1972-1994	Van	Lower	Front	A20, A14, B29	A20, A13, A19	N/A
Dodge	Ram CV (Cargo Van)	2012-2015	Van	Lower	Front	A14, A33, A11	A38, A11, A13	N/A

Make	Model	Year	Type	Position	Location	Removal Tools	Installation Tools	Comments
Dodge	Sprinter 2500/3500	2003-2006	Van	Lower	Front	B19 & A13	A38, A21 & A13 or A28	N/A
Dodge	Ram SRT-4	2003-2005	Truck	Lower	Front	B6, B9	A29, A39	N/A
Dodge	Stratus	1995-2000	Car	Upper	Rear	A7, A32, A16	A37, A39, A16	N/A
Dodge	Stratus	1995-2008	Car	Upper	Front	A7, A32, A16	A37, A39, A16	N/A
Dodge	Stratus Coupe	2001-2005	Car	Lower	Front	A6, A7, A16	A27, A9 & A13, A16	N/A
Dodge	Stratus Sedan	2001-2006	Car	Upper	Rear	A7, B6	A37, A39	N/A
Dodge	SX 2.0	2003-2005	Car	Lower	Front	B6, B9	A29, A39	N/A
Eagle	2000 GTX	1991-1993	Car	Lower	Front	A33, A29	A7	Canada only
Eagle	Summit	1991-1996	Car	Lower	Front	A33, A29	A7	N/A
Eagle	Talon	1990-1994	Car	Lower	Front	A33, A29	A7	N/A
Ford	Aerostar 2WD	1986-1997	Van	Lower	Front	A32, A20 & A14	A13 & A21 or A28, B27	N/A
Ford	Aerostar 4WD	1986-1997	Van	Lower	Front	A13 & A21 or A28	A38, A13 & A22	N/A
Ford	Bronco	1980-1996	SUV	Lower	Front	A7	A37, A38	N/A
Ford	Bronco	1980-1996	SUV	Upper	Front	A7	A37 or A13 & A22, A38	N/A
Ford	Bronco II 4WD w/Dana 28 Axle	1984-1990	SUV	Lower	Front	A13 & A21	A13 & A22, A38 or B33	w/threaded stud
Ford	Bronco II 4WD w/Dana 28 Axle	1984-1990	SUV	Upper	Front	A13 & A21	A13 & A22, A38 or B33	w/threaded stud
Ford	Bronco II 4WD w/Dana 35 Axle	1990	SUV	Upper	Front	A13 & A21	A13 & A22, A38 or B33	Uses pinch bolt
Ford	Bronco II 4WD w/Dana 35 Axle	1990	SUV	Lower	Front	A13 & A21	A13 & A22, A38 or B33	Uses pinch bolt
Ford	Bronco R	1980-1996	SUV	Lower	Front	A7	A37, A38	N/A
Ford	Crown Victoria	2003-2006	Car	Upper	Front	A24, A30, A16	A9 & A13, B7, A16	N/A
Ford	Crown Victoria	1995-2002	Car	Lower	Front	A11 & A14, A32, A16	A35, A38, A16	N/A
Ford	Crown Victoria	2003-2011	Car	Lower	Front	A23	A7, A4	N/A
Ford	E-150	1992-2004	Van	Lower	Front	A28 or A13 & A21	A13 & A22, A38	N/A
Ford	E-150	1992-2006	Van	Lower	Front	A13 & B19 or A3	A22, A38, A13	N/A
Ford	E-150	1992-2014	Van	Upper	Front	22305, A13	A22, A38, A13	N/A
Ford	E-150	2003-2008	Van	Lower	Front	A13 & B19 or A3	A13 & A22, A38	N/A
Ford	E-150	2003-2008	Van	Upper	Front	A13 & A21 or A28 or A24	A13 & A22, A38	N/A
Ford	E-150	2007-2014	Van	Lower	Front	A23 or A20 & A13	A7, A38 or A14 & B33	N/A
Ford	E-250, E350, E450	1992-2017	Van	Lower	Front	A23 or A20 & A13	A7, A38, or A14, B33	N/A
Ford	E-250, E350, E450	1992-2017	Van	Upper	Front	222503, A13	A22, A38, A13	N/A
Ford	E-250, E350, E450	1996-2004	Van	Lower	Front	A23	A7, A38 or B33 & A14	N/A
Ford	E-250, E350, E450	1996-2004	Van	Upper	Front	A13 & B11	A13 & A22, A38	N/A
Ford	E-250, E350, E450	2005-2008	Van	Lower	Front	A13 & A20 or A23	A7, A38 or B33 & A14	N/A
Ford	E-250, E350, E450	2005-2008	Van	Upper	Front	A13 & A21 or A28 or A24	A13 & A22, A38	N/A
Ford	Escape 2WD/4WD	2001-2012	SUV	Lower	Front	A33, A4	A7, A38 & B2	N/A
Ford	Excursion 2WD	2000-2005	SUV	Lower	Front	A13 & B11	A7, A38	N/A

Make	Model	Year	Type	Position	Location	Removal Tools	Installation Tools	Comments
Ford	Excursion 2WD	2000-2005	SUV	Upper	Front	A7	A37 or A13 & A22, A38	N/A
Ford	Excursion 4WD	2000-2005	SUV	Lower	Front	A13 & B11	A7, A38	N/A
Ford	Excursion 4WD w/monobeam axle	2000-2005	SUV	Upper	Front	A7 or A28	A37, A38	N/A
Ford	Expedition 2WD/4WD	1997-2002	SUV	Lower	Front	A23 or A20 & A13	A38, A21 & A13 or A24	N/A
Ford	Expedition 2WD/4WD	1997-2002	SUV	Upper	Front	B30, A30, A16	B27, B5, A16	Will not fit OE control arms
Ford	Expedition 2WD/4WD	2003-2006	SUV	Lower	Front	A23	A38, A21 & A13 or A28 or A24	N/A
Ford	Explorer 2WD/4WD	1995-2001	SUV	Upper	Front	B30, A30, A16	B27, B5, A16	Will not fit OE control arms
Ford	Explorer 2WD/4WD	1996-2010	SUV	Lower	Front	A23 or A20 & A13	A38, A21 & A13 or A24	N/A
Ford	Explorer 2WD/4WD	2002-2005	SUV	Upper	Front	B30, A33 & A30, A16	A40, A37 & A4, A16	N/A
Ford	Explorer 2WD/4WD	2006-2010	SUV	Upper	Front	B30, A32 & A30, A16	A13 & A9 or A39, A36, A16	N/A
Ford	Explorer 4WD w/Dana 28 Axle	1991-1994	SUV	Lower	Front	A13 & A21	A13 & A22, A38 or B33 & A14	N/A
Ford	Explorer 4WD w/Dana 28 Axle	1991-1994	SUV	Upper	Front	A13 & A21	A13 & A22, A38 or B33 & A14	w/threaded stud
Ford	Explorer 4WD w/Dana 35 Axle	1991-1994	SUV	Lower	Front	A13 & A21	A13 & A22, A38 or B33 & A14	Uses pinch bolt Manufactured to 1-10-93
Ford	Explorer 4WD w/Dana 35 Axle	1991-1994	SUV	Upper	Front	A13 & A21	A13 & A22, A38 or B33 & A14	Uses pinch bolt Manufactured to 1-10-93
Ford	Explorer 4WD w/Dana 35 Axle	1993-1994	SUV	Lower	Front	A13 & A21	A13 & A22, A38 or B33 & A14	Manufactured from 1-11-93
Ford	Explorer 4WD w/Dana 35 Axle	1993-1994	SUV	Upper	Front	A13 & A21	A13 & A22, A38 or B33 & A14	Uses pinch bolt Manufactured from 1-11-93
Ford	Explorer Sport Trac 2WD/4WD	2004-2005	Truck	Lower	Front	A23 or A20 & A13	A38, A21 & A13 or A24	N/A
Ford	Explorer Sport Trac 2WD/4WD	2004-2005	Truck	Upper	Front	B30, A30, A16	B27, B5, A16	Will not fit OE control arms
Ford	Explorer Sport Trac 2WD/4WD	2007-2008	Truck	Upper	Front	B30, A32 & A30, A16	A13 & A9 or A39, A36, A16	N/A
Ford	Explorer Sport/Sport Trac 2WD/4WD	2001-2005	SUV	Upper	Front	A23 or A13 & (A)20	A38, A24 or A21 & A13	Replace control arm assembly Will not fit OE control arms
Ford	Explorer Sport/Sport Trac 2WD/4WD	2001-2010	SUV	Lower	Front	A23 or A20 & A13	A38, A21 & A13 or A24	N/A
Ford	F-150 2WD	1987-1996	Truck	Lower	Front	A13 & A21	A13 & A22, A38	N/A
Ford	F-150 2WD	1987-1996	Truck	Upper	Front	A7	A13 & A22, A38	Spindle
Ford	F-150 2WD/4WD	1997-2003	Truck	Lower	Front	A23 or A20 & A13	A38, A21 & A13 or A24	N/A
Ford	F-150 2WD/4WD	1997-2004	Truck	Upper	Front	B30, A30, A16	B27, B5, A16	Will not fit OE control arms
Ford	F-150 2WD/4WD	2004-2012	Truck	Lower	Front	A23	A38, A21 & A13 or A28	N/A
Ford	F-150 2WD/4WD (HD)	2008	Truck	Lower	Front	A7	A37, A38	Replace control arm assembly
Ford	F-150 4WD	1980-1996	Truck	Lower	Front	A7	A37, A38	N/A
Ford	F-150 4WD	1980-1996	Truck	Upper	Front	A7	A37 or A13 & A22, A38	N/A
Ford	F-150 Heritage & Lightning	2004	Truck	Lower	Front	A23 or A20 & A13	A38, A21 & A13 or A24	N/A
Ford	F-150 Heritage & Lightning	2004	Truck	Upper	Front	B30, A30, A16	B27, B5, A16	Will not fit OE control arms
Ford	F-250 2WD	1987-1996	Truck	Lower	Front	A13 & A21	A7, A38 or B33 & A14	Spindle
Ford	F-250 2WD	1987-1996	Truck	Upper	Front	A7	A13 & A22, A38	Spindle
Ford	F-250 2WD HD w/Twin I-Beam	1997	Truck	Lower	Front	A13 & A21	A7, A38 or B33 & A14	Spindle

<b>Make</b>	<b>Model</b>	<b>Year</b>	<b>Type</b>	<b>Position</b>	<b>Location</b>	<b>Removal Tools</b>	<b>Installation Tools</b>	<b>Comments</b>
Ford	F-250 2WD HD w/Twin I-Beam	1997	Truck	Upper	Front	A7	A13 & A22, A38	Spindle
Ford	F-250 4WD (Under 8500 Lb. GVW)	1997-1999	Truck	Lower	Front	A23 or A20 & A13	A38, A21 & A13 or A24	N/A
Ford	F-250 4WD (Under 8500 Lb. GVW)	1997-1999	Truck	Upper	Front	B30, A30, A16	B27, B5, A16	Will not fit OE control arms
Ford	F-250 4WD w/3850 Lb. Axle	1980-1996	Truck	Lower	Front	A7	A37, A38	Except 4.10 ratio
Ford	F-250 4WD w/4600 Lb. Axle	1980-1996	Truck	Lower	Front	A13 & B11 or A28	A7, A38	N/A
Ford	F-250 4WD w/Twin I-Beam Axle	1980-1996	Truck	Upper	Front	A7	A37 or A13 & A22, A38	N/A
Ford	F-250 HD 4WD w/4600 Lb. Axle and w/Twin I-Beam Axle	1997	Truck	Lower	Front	A13 & B11 or A28	A7, A38	N/A
Ford	F-250 HD 4WD w/4600 Lb. Axle and w/Twin I-Beam Axle	1997	Truck	Upper	Front	A7	A37 or A13 & A22, A38	N/A
Ford	F-250 Super Duty	1999-2015	Truck	Upper	Front	A7 or A28	A37 or A13 & A22, A38	N/A
Ford	F-250 Super Duty 2WD w/Twin I-Beam Axle	1997-2015	Truck	Lower	Front	B11, A13	A7, A38	N/A
Ford	F-250 Super Duty 2WD w/Twin I-Beam Axle	1999-2015	Truck	Upper	Front	A7	A37 or A13 & A22, A38	N/A
Ford	F-250 Super Duty 2WD/4WD	1999-2008	Truck	Lower	Front	A13 & B11	A7, A38	Monobeam Axle
Ford	F-250 Super Duty 2WD/4WD	1999-2008	Truck	Upper	Front	A7 or A28	A37, A38	Monobeam Axle
Ford	F-250 Super Duty 2WD/4WD w/monobeam axle	1999-2017	Truck	Lower	Front	B11, A13	A7, A38	N/A
Ford	F-250 Super Duty 2WD/4WD w/monobeam axle	1999-2017	Truck	Upper	Front	A7 or A28	A37 or A13 & A22, A38	N/A
Ford	F-350	1992-1997	Truck	Upper	Front	A7 or A28	A37 or A13 & A22, A38	N/A
Ford	F-350 2WD	1987-1997	Truck	Lower	Front	A21, A13	A7, A38 or B33 & A14	N/A
Ford	F-350 2WD	1987-1997	Truck	Lower	Front	A13 & A21	A7, A38 or B33 & A14	Spindle
Ford	F-350 2WD	1987-1997	Truck	Upper	Front	A7	A13 & A22, A38	Spindle
Ford	F-350 4WD	1992-1997	Truck	Lower	Front	A13 & B11	A7, A38	Monobeam Axle
Ford	F-350 4WD	1992-1997	Truck	Upper	Front	A7 or A28	A37, A38	Monobeam Axle
Ford	F-350 4WD w/monobeam axle	1992-1997	Truck	Lower	Front	B11, A13	A7, A38	N/A
Ford	F-350 4WD w/monobeam axle	1992-1997	Truck	Upper	Front	A7 or A28	A37 or A13 & A22, A38	N/A
Ford	F-350 Super Duty 2WD w/Twin I-Beam Axle	1999-2014	Truck	Lower	Front	A21, A13	A7, A38	N/A
Ford	F-350 Super Duty 2WD w/Twin I-Beam Axle	1999-2014	Truck	Upper	Front	A7	A37 or A13 & A22, A38	N/A
Ford	F-350 Super Duty 2WD/4WD	1999-2008	Truck	Lower	Front	A13 & B11	A7, A38	Monobeam Axle
Ford	F-350 Super Duty 2WD/4WD	1999-2008	Truck	Upper	Front	A7 or A28	A37, A38	Monobeam Axle
Ford	F-350 Super Duty 2WD/4WD w/monobeam axle	1999-2017	Truck	Lower	Front	A21, A13	A7, A38	N/A
Ford	F-350 Super Duty 2WD/4WD w/monobeam axle	1999-2017	Truck	Upper	Front	A7 or A28	A37 or A13 & A22, A38	N/A

<b>Make</b>	<b>Model</b>	<b>Year</b>	<b>Type</b>	<b>Position</b>	<b>Location</b>	<b>Removal Tools</b>	<b>Installation Tools</b>	<b>Comments</b>
Ford	F-450 Super Duty	1997-2004, 2011-2017	Truck	Upper	Front	A7 or A28	A37 or A13 & A22, A38	N/A
Ford	F-450 Super Duty 2WD/4WD	1999-2008	Truck	Lower	Front	A13 & B11	A7, A38	Monobeam Axle
Ford	F-450 Super Duty 2WD/4WD	1999-2008	Truck	Upper	Front	A7 or A28	A37, A38	Monobeam Axle
Ford	F-450 Super Duty 2WD/4WD	2005-2008	Truck	Lower	Front	A18, A17, A16	A17, B19, A15, A16	N/A
Ford	F-450 Super Duty 2WD/4WD	2005-2008	Truck	Upper	Front	A13 & B19, A16	A7, B33, A14, A16	N/A
Ford	F-450 Super Duty 2WD/4WD w/ monobeam axle	2011-2017	Truck	Lower	Front	B11, A13	A7, A38	N/A
Ford	F-450 Super Duty 2WD/4WD w/ monobeam axle	2011-2017	Truck	Upper	Front	A7 or A28	A37 or A13 & A22, A38	N/A
Ford	F-550 Super Duty	1999-2004	Truck	Upper	Front	A7 or A28	A37 or A13 & A22, A38	N/A
Ford	F-550 Super Duty 2WD/4WD	1999-2008	Truck	Lower	Front	A13 & B11	A7, A38	Monobeam Axle
Ford	F-550 Super Duty 2WD/4WD	1999-2008	Truck	Upper	Front	A7 or A28	A37, A38	Monobeam Axle
Ford	F-550 Super Duty 2WD/4WD	2005-2008	Truck	Lower	Front	A18, A17, A16	A17, B19, A15, A16	N/A
Ford	F-550 Super Duty 2WD/4WD	2005-2008	Truck	Upper	Front	A13 & B19, A16	A7, B33, A14, A16	N/A
Ford	F-550 Super Duty 2WD/4WD w/ monobeam axle	1999-2017	Truck	Lower	Front	B11, A13	A7, A38	N/A
Ford	F-550 Super Duty 2WD/4WD w/ monobeam axle	1999-2017	Truck	Upper	Front	A7 or A28	A37 or A13 & A22, A38	N/A
Ford	Fusion	2006-2012	Car	Upper	Front	A22 & A13, A32	A37, A32	N/A
Ford	Mustang	1994-2004	Car	Lower	Front	A28, A26	A35, A38	N/A
Ford	Mustang	2005-2008	Car	Lower	Front	A33, A21 & A14	A7, A39	N/A
Ford	Probe	1989-1997	Car	Lower	Front	A31, A7	A7, A38	N/A
Ford	Ranger 2WD	1989-1997	Truck	Lower	Front	A13 & A21	A13 & A22, A38	N/A
Ford	Ranger 2WD	1989-1997	Truck	Upper	Front	A13 & A21	A37, A38	N/A
Ford	Ranger 2WD w/Coil Spring Suspension	1998-2007	Truck	Upper	Front	A7, B6, A16	A38 & B2, A37, A16	Will not fit OE control arms
Ford	Ranger 2WD w/Coil Spring Suspension	1998-2011	Truck	Lower	Front	A23	A38, A21 & A13 or A28	N/A
Ford	Ranger 2WD/4WD w/Torsion Bar Suspension	1998-2010	Truck	Upper	Front	B30, A30, A16	B27, B5, A16	Will not fit OE control arms
Ford	Ranger 2WD/4WD w/Torsion Bar Suspension	1998-2011	Truck	Lower	Front	A23 or A20 & A13	A38, A21 & A13 or A24	N/A
Ford	Ranger 4WD	1989-1997	Truck	Upper	Front	A21, A13	A37, A38	N/A
Ford	Ranger 4WD w/Dana	1990-1997	Truck	Lower	Front	A13 & A21	A13 & A22, A38 or B33 & A14	N/A
Ford	Ranger 4WD w/Dana	1990-1997	Truck	Upper	Front	A13 & A21	A13 & A22, A38 or B33 & A14	N/A
Ford	Ranger 4WD w/Dana 28/35 Axle	1983-1997	Truck	Upper	Front	A13 & A21	A13 & A22, A38	N/A
Ford	Ranger 4WD w/Dana 28/35 Axle	1983-1997	Truck	Lower	Front	A13 & A21	A13 & A22, A38 or B33 & A14	N/A
Ford	Taurus	1996-2007	Car	Lower	Front	B32, B22	B13, A40	N/A
Ford	Thunderbird	1989-1997	Car	Lower	Front	A28, A30, A16	A28, A19, A16	N/A
Freightliner	Freightliner 2500/3500	2002-2006	Van	Lower	Front	B19 & A13	A21, A13, A38 (or A28)	N/A

Make	Model	Year	Type	Position	Location	Removal Tools	Installation Tools	Comments
GMC	1500 2WD	1991-1992	Truck	Lower	Front	A13 & A21, A20 & A14	A13 & A20, A19, A16	N/A
GMC	1500 2WD	1998-1999	Truck	Lower	Front	B29, A20, A14A16	A13 & A20, A19, A16	N/A
GMC	1500 4WD	1996-1999	Truck	Lower	Front	A18 & A13	A14 & A21, A28	N/A
GMC	2500 2WD w/7200 Lb. GVW	1991-1992	Truck	Lower	Front	A13 & A21, A20 & A14, A16	A13 & A20, A19, A16	N/A
GMC	2500 2WD w/7200 Lb. GVW	1993-2000	Truck	Lower	Front	B29, A20, A14, A16	A13 & A20, A19, A16	N/A
GMC	2500 2WD w/8600 Lb. GVW	1991-1992	Truck	Lower	Front	A13 & A21, A20 & A14, A16	A13 & A20, A19, A16	N/A
GMC	2500 2WD w/8600 Lb. GVW	1993-2000	Truck	Lower	Front	B29, A20, A14, A16	A13 & A20, A19, A16	N/A
GMC	2500 4WD	1996-2000	Truck	Lower	Front	A18 & A13	A14 & A21, A28	N/A
GMC	3500 2WD w/IFS	1998-2000	Truck	Lower	Front	A18 & A13	A21, A28, A14	N/A
GMC	3500 2WD w/IFS; 5th digit of VIN is C	1991-1992	Truck	Lower	Front	A13 & A21, A20 & A14, A16	A13 & A20, A19, A16	N/A
GMC	3500 4WD	1996-2000	Truck	Lower	Front	A18 & A13	A14 & A21, A28	N/A
GMC	3500 Motor Home w/IFS	1973-1997	Van	Lower	Front	B29, A20, A14, A16	A13 & A20, A19, A16	N/A
GMC	3500 Step Van w/IFS	1973-1997	Van	Lower	Front	B29, A20, A14, A16	A13 & A20, A19, A16	N/A
GMC	Envoy 2WD/4WD	2002-2009	SUV	Lower	Front	A18 & A13	A7, A38	N/A
GMC	Envoy 2WD/4WD	2002-2009	SUV	Upper	Front	A7, B20, A16	A33, A29, A16	N/A
GMC	G1500	1971-1995	Van	Lower	Front	B29, A20, A14, A16	A13 & A20, A19, A16	N/A
GMC	G2500	1973-1995	Van	Lower	Front	B29, A20, A14, A16	A13 & A20, A19, A16	N/A
GMC	G3500	1973-1996	Van	Lower	Front	A13 & A20, A19, A16	A13 & A20, A19, A16	N/A
GMC	Jimmy 2WD	1982-2002	SUV	Lower	Front	A32, A20, A14, A16	A11 & A13, A19, A16	N/A
GMC	S-15 Sonoma 2WD	1982-2003	Truck	Lower	Front	A32, A20, A14, A16	A11 & A13, A19, A16	N/A
GMC	Safari 2WD	1985-2005	Van	Lower	Front	A32, A20 & A14	A28, A21 or B33 & A14	N/A
GMC	Savana 1500	1996-2002	Van	Lower	Front	B29, A20, A14, A16	A13 & A20, A19, A16	N/A
GMC	Savana 1500	2003-2014	Van	Lower	Front	A13 & A11	A38 or A14 & B33, A28 or A21 & A13	N/A
GMC	Savana 1500	2003-2014	Van	Upper	Front	A28, B6, A16	B27, A37 & A4, A16	N/A
GMC	Savana 2500	1996-2002	Van	Lower	Front	B29, A20, A14, A16	A13 & A20, A19, A16	N/A
GMC	Savana 2500 w/7300 Lb. GVW	2003-2008	Van	Lower	Front	A13 & A11	A38 or A14 & B33, A28 or A21 & A13	N/A
GMC	Savana 2500 w/7300 Lb. GVW	2003-2008	Van	Upper	Front	A28, B6, A16	B27, A37 & A4, A16	N/A
GMC	Savana 2500 w/8500 Lb. & 8600 Lb. GVW	2003-2016	Van	Lower	Front	A23	A38, A21 & A13 or A28	N/A
GMC	Savana 2500 w/8500 Lb. GVW	2003-2017	Van	Upper	Front	B30, A32 & B20, A16	A39, A37, A16	N/A
GMC	Savana 3500	1996-2002	Van	Lower	Front	B29, A20, A14, A16	A13 & A20, A19, A16	N/A
GMC	Savana 3500	2003-2016	Van	Lower	Front	A23	A38, A21 & A13 or A28	N/A
GMC	Savana 3500	2003-2017	Van	Upper	Front	B30, A32 & B20, A16	A39, A37, A16	N/A
GMC	Sierra 1500 2WD/4WD	1999-2007	Truck	Upper	Front	A28, B6, A16	B27, A37 & A4, A16	N/A

<b>Make</b>	<b>Model</b>	<b>Year</b>	<b>Type</b>	<b>Position</b>	<b>Location</b>	<b>Removal Tools</b>	<b>Installation Tools</b>	<b>Comments</b>
GMC	Sierra 1500 4WD	1999-2016	Truck	Lower	Front	A13 & A11	A38 or A14 & B33, A28	N/A
GMC	Sierra 1500 HD 2WD/4WD	2000-2007	Truck	Lower	Front	A18 & A13	A38, A28 or A21 & A13	N/A
GMC	Sierra 1500 HD 2WD/4WD	2000-2007	Truck	Upper	Front	B30, B15, A16	A39, B5, A16	N/A
GMC	Sierra 2500 2WD	1999-2004	Truck	Upper	Front	B30, A32 & B20, A16	A39, A37, A16	N/A
GMC	Sierra 2500 2WD/4WD	2001-2008	Truck	Upper	Front	B30, B15, A16	A39, B5, A16	N/A
GMC	Sierra 2500 2WD/4WD	2001-2017	Truck	Lower	Front	A18 & A13	A38, A28 or A21 & A13	N/A
GMC	Sierra 2500 4WD	1999-2000	Truck	Lower	Front	A18 & A13	A38, A28 or A21 & A13	N/A
GMC	Sierra 2500 HD 2WD/4WD	2001-2008	Truck	Lower	Front	A18 & A13	A38, A28 or A21 & A13	N/A
GMC	Sierra 2500 HD 2WD/4WD	2001-2008	Truck	Upper	Front	B30, B15, A16	A39, B5, A16	N/A
GMC	Sierra 3500 2WD/4WD	2001-2008	Truck	Lower	Front	A18 & A13	A38, A28 or A21 & A13	N/A
GMC	Sierra 3500 2WD/4WD	2001-2008	Truck	Upper	Front	B30, B15, A16	A39, B5, A16	N/A
GMC	Sierra Denali	2002-2007	Truck	Upper	Front	A28, B6, A16	B27, A37 & A4, A16	N/A
GMC	Sierra Denali	2002-2010	Truck	Lower	Front	A13 & A11	A38 or A14 & B33, A28 or A21 & A13	N/A
GMC	Suburban 1500 2WD	1992	SUV	Lower	Front	A13 & A21, A20 & A14, A16	A13 & A20, A19, A16	N/A
GMC	Suburban 1500 2WD	1993-1999	SUV	Lower	Front	B29, A20, A14, A16	A13 & A20, A19, A16	N/A
GMC	Suburban 1500 4WD	1996-1999	SUV	Lower	Front	A18 & A13	A14 & A21, A28	N/A
GMC	Suburban 2500 2WD	1992	SUV	Lower	Front	A13 & A21, A20 & A14, A16	A13 & A20, A19, A16	N/A
GMC	Suburban 2500 2WD	1993-1999	SUV	Lower	Front	B29, A20, A14, A16	A13 & A20, A19, A16	N/A
GMC	Suburban 2500 4WD	1996-1999	SUV	Lower	Front	A18 & A13	A14 & A21, A28	N/A
GMC	Yukon	2001-2007	SUV	Upper	Front	A28, B6	A37, A4, B27	N/A
GMC	Yukon	2001-2007	Truck	Upper	Front	A28, B6, A16	B27, A37 & A4, A16	N/A
GMC	Yukon	2001-2017	SUV	Lower	Front	A13 & A11	A38 or A14 & B33, A28	N/A
GMC	Yukon 2WD	1995-1999	SUV	Lower	Front	B29, A20, A14, A16	A13 & A20, A19, A16	N/A
GMC	Yukon 2WD w/5.7L	2000	SUV	Lower	Front	B29, A20, A14, A16	A13 & A20, A19, A16	N/A
GMC	Yukon 4WD	1996-1999	SUV	Lower	Front	A18 & A13	A14 & A21, A28	N/A
GMC	Yukon 4WD w/5.7L	2000	SUV	Lower	Front	A18 & A13	A14 & A21, A28	N/A
GMC	Yukon Denali	1999-2000	SUV	Upper	Front	A28, B6, A16	B27, A37 & A4, A16	N/A
GMC	Yukon Denali	1999-2004	SUV	Lower	Front	A13 & A11	A38 or A14 & B33, A28	N/A
GMC	Yukon Denali & Denali XL	2001-2005	SUV	Upper	Front	A28, B6, A16	B27, A37 & A4, A16	N/A
GMC	Yukon Denali & Denali XL	2001-2006	SUV	Lower	Front	A13 & A11	A38 or A14 & B33, A28	N/A
GMC	Yukon Exc 5.7L	2000	SUV	Lower	Front	A13 & A11	A38 or A14 & B33, A28	N/A
GMC	Yukon Exc 5.7L	2000	SUV	Upper	Front	A28, B6, A16	B27, A37 & A4, A16	N/A
GMC	Yukon XL 1500	2000-2007	SUV	Lower	Front	A13 & A11	A38 or A14 & B33, A28	N/A
GMC	Yukon XL 1500	2000-2007	SUV	Upper	Front	A28, B6, A16	B27, A37 & A4, A16	N/A
GMC	Yukon XL 2500	2000	SUV	Lower	Front	A18 & A13	A38, A28 or A21 & A13	N/A

Make	Model	Year	Type	Position	Location	Removal Tools	Installation Tools	Comments
GMC	Yukon XL 2500	2000	SUV	Upper	Front	B30, A32 & B20, A16	A39, A37, A16	N/A
GMC	Yukon XL 2500	2000-2008	SUV	Upper	Front	B30, B15, A16	A39, B5, A16	N/A
Honda	Accord	1990-1997	Car	Lower	Front	A5, A31, A16	A41, A27 or A37, A16	Ball joint in spindle instead of control arm
Honda	Accord	1994-1997	Car	Upper	Front	A22 & A13, A10, A16	A37, A39, A16	N/A
Honda	Accord Hybrid	2005-2006	Car	Lower	Front	A12, A6, A16	A27, A40, A16	N/A
Honda	Accord Hybrid	2005-2006	Car	Upper	Front	A22 & A13, A10, A16	A37, A39, A16	N/A
Honda	Accord Sedan & Coupe	1998-2002	Car	Lower	Front	A5, A31, A16	A41, A27 or A37, A16	Ball joint in spindle instead of control arm
Honda	Accord Sedan & Coupe	1998-2008	Car	Upper	Front	A22 & A13, A10, A16	A37, A39, A16	N/A
Honda	Accord Sedan & Coupe	2003-2007	Car	Lower	Front	A12, A6, A16	A27, A40, A16	N/A
Honda	Civic	1992-2000	Car	Lower	Front	A6, A8, A16	A41, A27, A16	N/A
Honda	Civic	1992-2000	Car	Upper	Front	A22 & A13, A10, A16	A37, A32, A16	N/A
Honda	Civic del Sol	1993-1997	Car	Lower	Front	A6, A8, A16	A41, A27, A16	N/A
Honda	Civic del Sol	1993-1997	Car	Upper	Front	A22 & A13, A10, A16	A37, A32, A16	N/A
Honda	Civic Hatchback	2002-2005	Car	Lower	Front	A12, A32, A16	A27, A40, A16	Ball Joint in spindle instead of control arm
Honda	Civic Hybrid Hatchback	2002-2005	Car	Lower	Front	A12, A32, A16	A27, A40, A16	Ball Joint in spindle instead of control arm
Honda	Civic Hybrid Sedan & Coupe	2003-2005	Car	Lower	Front	A12, A32, A16	A39, A27, A16	Ball joint in spindle instead of control arm
Honda	Civic Sedan & Coupe	2001-2005	Car	Lower	Front	A12, A32, A16	A39, A27, A16	Ball joint in spindle instead of control arm
Honda	CR-V	1997-2001	SUV	Lower	Front	A6, A8, A16	A41, A27, A16	N/A
Honda	CR-V	1997-2001	SUV	Upper	Front	A6, A8, A16	A27, A41, A16	N/A
Honda	CR-V	2002-2006	SUV	Lower	Front	A13 & A25, B6, A16	A41, A37, A16	N/A
Honda	Element	2003-2011	SUV	Lower	Front	A5 or A12, B6, A16	A39, A37, A16	N/A
Honda	Fit	2007-2014	Car	Lower	Front	A14, A33	A7, A39	N/A
Honda	Insight	2010-2011	Car	Lower	Front	A14, A33	A7, A39	N/A
Honda	Odyssey	1995-1998	Van	Lower	Front	A5, A31, A16	A41, A27 or A37, A16	N/A
Honda	Odyssey	1995-1998	Van	Upper	Front	A22 & A13, A10, A16	A37, A39, A16	N/A
Honda	Odyssey	1999-2004	Van	Lower	Front	A33, A29	A13 & A22, A39	N/A
Honda	Pilot	2003-2008	SUV	Lower	Front	A33, A4	A7 or A13 & A22, A38 & B2	N/A
Honda	Prelude	1992-1999	Car	Lower	Front	A5, A31, A16	A41, A27 or A37, A16	Ball joint in spindle instead of control arm
Hummer	H2	2003-2009	SUV	Lower	Front	A18 & A13	A38, A28 or A21 & A13	N/A
Hummer	H2	2003-2009	SUV	Upper	Front	B30, B15, A16	A39, B5, A16	N/A
Hyundai	Accent	1995-1999, 2012-2016	Car	Lower	Front	A33, A4, A16	A37, A39, A16	N/A

Make	Model	Year	Type	Position	Location	Removal Tools	Installation Tools	Comments
Hyundai	Accent	2000-2005	Car	Lower	Front	A33, A4	A37, A40	N/A
Hyundai	Elantra	1996-2011, 2013-2016	Car	Lower	Front	A33, A4, A16	A37, A39, A16	N/A
Hyundai	Santa Fe	2001-2008	SUV	Lower	Front	A33, A4	A29 or A37, A40	N/A
Hyundai	Sonata	1995-1998	Car	Lower	Front	A34, A4	A37, A40	N/A
Hyundai	Sonata	1999-2005	Car	Lower	Front	A34, A4	A37, A40	N/A
Hyundai	Tiburon	1997-2008	Car	Lower	Front	A33, A4, A16	A37, A39, A16	N/A
Infiniti	G20	1991-1996	Car	Lower	Front	A33, A29	A37, A32	N/A
Infiniti	I30	1996-1999	Car	Lower	Front	A4, A34, A16	A37, A32 & A13, A16	N/A
Infiniti	I30	2000-2001	Car	Lower	Front	A4, A34, A16	A37, A9 & A13, A16	N/A
Infiniti	I35	2002-2004	Car	Lower	Front	A4, A34, A16	A37, A9 & A13, A16	N/A
Infiniti	QX56	2004-2006	SUV	Upper	Front	A7, B6, A16	A39, A37, A16	N/A
Isuzu	Ascender 2WD/4WD	2003-2008	SUV	Lower	Front	A18 & A13	A7, A38	N/A
Isuzu	Ascender 2WD/4WD	2003-2008	SUV	Upper	Front	A7, B20, A16	A33, A29, A16	N/A
Isuzu	Hombre 2WD	1996-2000	Truck	Lower	Front	A32, A20, A14, A16	A11 & A13, A19, A16	N/A
Isuzu	Oasis	1996-1999	Van	Lower	Front	A5, A31, A16	A41, A27 or A37, A16	N/A
Jaguar	Vanden Plas	1998-2003	Car	Upper	Front	A33, A4	A7, A39	N/A
Jaguar	XJ	2003	Car	Upper	Front	A33, A39	A7, A32	N/A
Jaguar	XJ8	1998-2003	Car	Upper	Front	A33, A32	A7, B6	N/A
Jaguar	XJR	1998-2005	Car	Upper	Front	A33, B6	A7, A19	N/A
Jaguar	XKR	2000-2002	Car	Upper	Front	A33, A4	A7, A39	N/A
Jeep	Cherokee	1984-2001	SUV	Lower	Front	A33, A35 or A37	A29, B28	N/A
Jeep	Cherokee	1984-2001	SUV	Upper	Front	A35, A33	A29, B28	N/A
Jeep	Cherokee (RHD)	1996-1998	SUV	Lower	Front	A33, A35 or A37	A29, B28	N/A
Jeep	Cherokee (RHD)	1996-1998	SUV	Upper	Front	A35, A33	A29, B28	N/A
Jeep	Commander 2WD/4WD	2006-2007	SUV	Upper	Front	B30, B15, A16	A39, A36, A16	N/A
Jeep	Commander 2WD/4WD	2006-2010	SUV	Lower	Front	B4	A38, A28	N/A
Jeep	Compass 2WD/4WD	2007-2016	SUV	Lower	Front	A33, A29	A29, A32	N/A
Jeep	Grand Cherokee	1993-2004	SUV	Lower	Front	A33, A35 or A37	A29, B28	N/A
Jeep	Grand Cherokee	1993-2004	SUV	Upper	Front	A35, A33	A29, B28	N/A
Jeep	Grand Cherokee 2WD/4WD	2005-2010	SUV	Upper	Front	B30, B15, A16	A39, A36, A16	N/A
Jeep	Grand Cherokee 2WD/4WD	2005-2011	SUV	Lower	Front	B4	A38, A28	N/A
Jeep	Grand Wagoneer	1993-1994	SUV	Lower	Front	A33, A35 or A37	A29, B28	N/A
Jeep	Liberty 2WD/4WD	2002-2007	SUV	Lower	Front	B14, B8, A16	B27, A35, A16	N/A
Jeep	Liberty 2WD/4WD	2008-2009	SUV	Lower	Front	B4	A38, A28	N/A
Jeep	Patriot	2007-2016	SUV	Lower	Front	A33, A29	A29, A32	N/A
Jeep	TJ	1997-2006	SUV	Lower	Front	A35, A33	A29, B28	N/A

Make	Model	Year	Type	Position	Location	Removal Tools	Installation Tools	Comments
Jeep	TJ	1997-2006	SUV	Upper	Front	A35, A33	A29, B28	N/A
Jeep	Wrangler	1987-2015	SUV	Lower	Front	A33, A35 or A37	A29, B28	N/A
Jeep	Wrangler	1987-2015	SUV	Upper	Front	A35, A33	A29, B28	N/A
Kia	Forte	2014-2015	Car	Lower	Front	A33, A4	A37, A39	N/A
Kia	Spectra	2004-2009	Car	Lower	Front	A33, A4, A16	A37, A39, A16	N/A
Kia	Spectra 5	2006-2009	Car	Lower	Front	A33, A4, A16	A37, A39, A16	N/A
Land Rover	LR3	2005-2009	SUV	Lower	Front	B19, A13	A7, A38, A9	N/A
Land Rover	LR3	2005-2010	SUV	Upper	Front	B19, A14, A33	A7, A38	N/A
Land Rover	LR4	2010-2016	SUV	Lower	Front	B19, A13	A7, A38, A9	N/A
Land Rover	Range Rover Sport	2006-2012	SUV	Lower	Front	B19, A14	A7, A38, A9	N/A
Lexus	GX460	2010-2017	SUV	Upper	Front	A14, A33, A11	A21, A38, A13	N/A
Lexus	GX470	2003-2009	SUV	Upper	Front	A14, A33, A11	A21, A38, A13	N/A
Lexus	LX470	1998-2007	SUV	Lower	Front	B12	A7, B33, A14	N/A
Lexus	LX570	2008-2011, 2013-2017	SUV	Lower	Front	A20, A13	A21, B33, A13, A14	N/A
Lincoln	Aviator 2WD/4WD	2003-2005	SUV	Lower	Front	A33, A30, B30	A37, A40, A4	N/A
Lincoln	Aviator 2WD/4WD	2003-2005	SUV	Upper	Front	B30, A33 & A30, A16	A40, A37 & A4, A16	N/A
Lincoln	Blackwood	2002-2003	Truck	Lower	Front	A23 or A20 & A13	A38, A21 & A13 or A24	N/A
Lincoln	Blackwood	2002-2003	Truck	Upper	Front	B32, B22	B13, A40	Replace control arm assembly
Lincoln	Continental	1995-2002	Car	Lower	Front	B32, B22	B13, A40	N/A
Lincoln	Mark LT	2006-2008	Truck	Lower	Front	A23	A38, A21, A13 or A28 or A24	N/A
Lincoln	Mark VIII	1993-1998	Car	Lower	Front	A28, A30, A16	A28, A19, A16	N/A
Lincoln	MKZ	2007-2012	Car	Upper	Front	A22 & A13, A32	A37, A32	N/A
Lincoln	Navigator 2WD/4WD	1998-2002	SUV	Lower	Front	A23 or A20 & A13	A38, A21 & A13 or A24	N/A
Lincoln	Navigator 2WD/4WD	1998-2002	SUV	Upper	Front	B30, A30, A16	B27, B5, A16	Will not fit OE control arms
Lincoln	Navigator 2WD/4WD	2003-2006	SUV	Lower	Front	A23	A38, A21 & A13 or A28	N/A
Lincoln	Navigator 2WD/4WD	2007-2008	SUV	Lower	Front	A23	A38, A21 & A13 or A28	N/A
Lincoln	Navigator 2WD/4WD	2007-2008	SUV	Lower	Rear	A23	A38, A21 & A13 or A28	N/A
Lincoln	Town Car	1995-2002	Car	Lower	Front	A11 & A14, A32, A16	A35, A38, A16	N/A
Lincoln	Town Car	2003-2006	Car	Upper	Front	A24, A30, A16	A9 & A13, B7, A16	N/A
Lincoln	Town Car	2003-2011	Car	Lower	Front	A23	A7, A4	N/A
Lincoln	Zephyr	2006	Car	Upper	Front	A22 & A13, A32	A37, A32	N/A
Mazda	626	1983-1997	Car	Lower	Front	A31, A7	A7, A38	N/A
Mazda	B-2300 2WD	1994-1997	Truck	Upper	Front	A13 & A21	A37, A38	N/A
Mazda	B-2300 2WD	1994-1997	Truck	Lower	Front	A13 & A21	A13 & A22, A38	N/A
Mazda	B-2300 2WD w/coil Spring Suspension	2001-2002	Truck	Upper	Front	A7, B6, A16	A38 & B2, A37, A16	Will not fit OE control arms
Mazda	B-2300 2WD w/coil Spring Suspension	2001-2004	Truck	Lower	Front	A23	A38, A21 & A13 or A28 or A24	N/A

Make	Model	Year	Type	Position	Location	Removal Tools	Installation Tools	Comments
Mazda	B-2300 2WD w/Torsion Bar Suspension	2001-2010	Truck	Lower	Front	A23 or A20 & A13	A38, A21 & A13 or A24	N/A
Mazda	B-2300 2WD/4WD	2005-2008	Truck	Lower	Front	A23	A38, A21 & A13 or A28 or A24	N/A
Mazda	B-2300 2WD/4WD w/Torsion Bar Suspension	2001-2004	Truck	Lower	Front	A23	A38, A21 & A13 or A28 or A24	N/A
Mazda	B-2300 2WD/4WD w/Torsion Bar Suspension	2001-2004	Truck	Upper	Front	B30, A30, A16	B27, B5, A16	Will not fit OE control arms
Mazda	B-2300 4WD	1994-1997	Truck	Upper	Front	A21, A13	A37, A38	N/A
Mazda	B-2300 4WD	1995-1996	Truck	Lower	Front	A13 & A21	A13 & A22, A38 or B33 & A14	N/A
Mazda	B-2300 4WD	1995-1997	Truck	Upper	Front	A13 & A21	A13 & A22, A38 or B33 & A14	N/A
Mazda	B-2500 2WD w/Coil Spring Suspension	1998-2001	Truck	Lower	Front	A23	A38, A21 & A13 or A28 or A24	N/A
Mazda	B-2500 2WD w/Coil Spring Suspension	1998-2001	Truck	Upper	Front	A7, B6, A16	A38 & B2, A37, A16	Will not fit OE control arms
Mazda	B-2500 2WD w/Torsion Bar Suspension	1998-2001	Truck	Lower	Front	A23 or A20 & A13	A38, A21 & A13 or A24	N/A
Mazda	B-2500 2WD/4WD w/Torsion Bar Suspension	1998-2001	Truck	Upper	Front	B30, A30, A16	B27, B5, A16	Will not fit OE control arms
Mazda	B-2500 4WD w/Torsion Bar Suspension	1998-2001	Truck	Lower	Front	A23	A38, A21 & A13 or A28 or A24	N/A
Mazda	B-3000 2WD	1994-1996	Truck	Lower	Front	A13 & A21	A13 & A22, A38	N/A
Mazda	B-3000 2WD	1994-1996	Truck	Upper	Front	A13 & A21	A37, A38	N/A
Mazda	B-3000 2WD w/Coil Spring Suspension	1998-2002	Truck	Upper	Front	A7, B6, A16	A38 & B2, A37, A16	Will not fit OE control arms
Mazda	B-3000 2WD w/Coil Spring Suspension	1998-2004	Truck	Lower	Front	A23	A38, A21 & A13 or A28	N/A
Mazda	B-3000 2WD w/Torsion Bar Suspension	1998-2008	Truck	Lower	Front	A23 or A20 & A13	A38, A21 & A13 or A24	N/A
Mazda	B-3000 2WD/4WD	2005-2007	Truck	Lower	Front	A23	A38, A21 & A13 or A28 or A24	N/A
Mazda	B-3000 2WD/4WD w/Torsion Bar Suspension	1998-2004	Truck	Upper	Front	B30, A30, A16	B27, B5, A16	Will not fit OE control arms
Mazda	B-3000 2WD/4WD w/Torsion Bar Suspension	2002-2004	Truck	Lower	Front	A23	A38, A21 & A13 or A28 or A24	N/A
Mazda	B-3000 4WD	1994-1997	Truck	Lower	Front	A13 & A21	A13 & A22, A38 or B33 & A14	N/A
Mazda	B-3000 4WD	1994-1996	Truck	Upper	Front	A13 & A21	A13 & A22, A38 or B33 & A14	N/A
Mazda	B-3000 4WD w/Torsion Bar Suspension	1998-2001	Truck	Lower	Front	A23	A38, A21 & A13 or A28 or A24	N/A
Mazda	B-4000 2WD	1994-1997	Truck	Lower	Front	A13 & A21	A13 & A22, A38	N/A
Mazda	B-4000 2WD	1994-1997	Truck	Upper	Front	A13 & A21	A37, A38	N/A
Mazda	B-4000 2WD w/Coil Spring Suspension	1998-2002	Truck	Upper	Front	A7, B6, A16	A38 & B2, A37, A16	Will not fit OE control arm
Mazda	B-4000 2WD w/Coil Spring Suspension	1998-2004	Truck	Lower	Front	A23	A38, A21 & A13 or A28 or A24	N/A
Mazda	B-4000 2WD w/Torsion Bar Suspension	1998-2010	Truck	Lower	Front	A23 or A20 & A13	A38, A21 & A13 or A24	N/A
Mazda	B-4000 2WD/4WD	2005-2008	Truck	Lower	Front	A23	A38, A21 & A13 or A28 or A24	N/A
Mazda	B-4000 2WD/4WD	2005-2008	Truck	Upper	Front	A23	A38, A21 & A13 or A28 or A24	N/A
Mazda	B-4000 2WD/4WD w/Torsion Bar Suspension	1998-2004	Truck	Upper	Front	B30, A30, A16	B27, B5, A16	Will not fit OE control arms
Mazda	B-4000 4WD	1994-1997	Truck	Lower	Front	A13 & A21	A13 & A22, A38 or B33 & A14	N/A
Mazda	B-4000 4WD	1994-1997	Truck	Upper	Front	A13 & A21	A13 & A22, A38 or B33 & A14	N/A

<b>Make</b>	<b>Model</b>	<b>Year</b>	<b>Type</b>	<b>Position</b>	<b>Location</b>	<b>Removal Tools</b>	<b>Installation Tools</b>	<b>Comments</b>
Mazda	B-4000 4WD w/Torsion Bar Suspension	1998-2001	Truck	Lower	Front	A23	A38, A21 & A13 or A28 or A24	N/A
Mazda	MX-6	1988-1997	Car	Lower	Front	A31, A7	A7, A38	N/A
Mazda	Navajo 2WD	1992-1994	SUV	Lower	Front	A13 & A21	A13 & A22, A38	N/A
Mazda	Navajo 4WD	1992-1994	SUV	Upper	Front	A13 & A21	A37, A38	N/A
Mazda	Navajo 4WD w/Dana 35 Axle	1991-1994	SUV	Lower	Front	A13 & A21	A13 & A22, A38 or B33 & A14	Uses pinch bolt Manufactured to 1-10-93
Mazda	Navajo 4WD w/Dana 35 Axle	1993-1994	SUV	Upper	Front	A13 & A21	A13 & A22, A38 or B33 & A14	Uses pinch bolt Manufactured to 1-10-93
Mazda	Tribute 2WD/4WD	2001-2006, 2011	SUV	Lower	Front	A33, A4	A7, A38 & B2	N/A
Mazda	Tribute 2WD/4WD	2008	SUV	Lower	Front	A33, A4	A7, A38 & B2	N/A
Mercury	Cougar	1989-1997	Car	Lower	Front	A28, A30	A28, A19	N/A
Mercury	Grand Marquis	1995-2002	Car	Lower	Front	A32, A11, A14	A38, A35	N/A
Mercury	Grand Marquis	2003-2011	Car	Lower	Front	A23	A7, A4	N/A
Mercury	Grand Marquis	2003-2006	Car	Upper	Front	A24, A30	A13, A9, B7	N/A
Mercury	Marauder	2003-2004	Car	Lower	Front	A23	A7, A4	N/A
Mercury	Marauder	2003-2004	Car	Upper	Front	A24, A30, A16	A9 & A13, B7, A16	N/A
Mercury	Mariner 2WD/4WD	2005-2011	SUV	Lower	Front	A33, A4	A7, A38 & B2	N/A
Mercury	Milan	2006-2011	Car	Upper	Front	A22 & A13, A32	A37, A32	N/A
Mercury	Mountaineer	1997-2001	SUV	Upper	Front	B30, A30, A16	B27, B5, A16	Will not fit OE control arms
Mercury	Mountaineer	1997-2010	SUV	Lower	Front	A23 or A20 & A13	A38, A21 & A13 or A24	N/A
Mercury	Mountaineer 2WD/4WD	2002-2005	SUV	Upper	Front	B30, A33 & A30, A16	A40, A37 & A4, A16	N/A
Mercury	Mountaineer 2WD/4WD	2006-2010	SUV	Upper	Front	B30, A32 & A30, A16	A13 & A9 or A39, A36, A16	N/A
Mercury	Sable	1996-2005	Car	Lower	Front	B32, B22	B13, A40	N/A
Mitsubishi	Eclipse	1990-1994	Car	Lower	Front	A33, A29	A7	N/A
Mitsubishi	Eclipse	2000-2005	Car	Lower	Front	A6, A7, A16	A27, A9 & A13, A16	N/A
Mitsubishi	Eclipse	2006-2012	Car	Lower	Front	A34, A4	A20, A13, A39	N/A
Mitsubishi	Galant	1985-1993	Car	Lower	Front	A33, A29	A7	N/A
Mitsubishi	Galant	1999-2003	Car	Lower	Front	A6, A7, A16	A27, A9 & A13, A16	N/A
Mitsubishi	Galant	2004-2011	Car	Lower	Front	A34, A4	A13 & A20, A39	N/A
Mitsubishi	Lancer	2002-2008	Car	Lower	Front	A33, A29	A22 & A13	N/A
Mitsubishi	Mighty Max	1983-1996	Truck	Upper	Front	A24, B6, A16	A39, A37, A16	N/A
Mitsubishi	Raider	2006-2009	Truck	Lower	Front	B12	A38, A28	N/A
Nissan	200SX	1995-1998	Car	Lower	Front	A33, A37	A37, A40	N/A
Nissan	240SX	1994-1998	Car	Lower	Front	A4, A34, A16	A37, A9 & A13, A16	N/A
Nissan	300ZX	1990-1996	Car	Lower	Front	A4, A34, A16	A37, A9 & A13, A16	N/A
Nissan	Altima	1993-1997	Car	Lower	Front	A33, A29	A37, A32	N/A
Nissan	Altima	1998-2001	Car	Lower	Front	A33, A29	A22 & A13, or A37, A39	N/A

Make	Model	Year	Type	Position	Location	Removal Tools	Installation Tools	Comments
Nissan	Armada	2004-2005	SUV	Lower	Front	A11 & A13	A4, A21 & A13 or A28 or A24	N/A
Nissan	Armada	2005-2008	SUV	Upper	Front	A7, B6, A16	A39, A37, A16	N/A
Nissan	D21 Pickup 2WD	1991-1997	Truck	Lower	Front	B29, B19 & A14	A13 & A21 or A28, B27	N/A
Nissan	Equator	2009-2012	Truck	Lower	Front	A13, A11	A21, A13, A4	N/A
Nissan	Frontier	1998-2008	Truck	Lower	Front	A11 & A13	A4, A21 & A13 or A28 or A24	N/A
Nissan	Frontier	1998-2004	Truck	Upper	Front	A13 & B21, A37, A16	A38, B11 & A14, A16	N/A
Nissan	Frontier	2005-2014	Truck	Upper	Front	A13 & A21 or A28, B6, A16	A39, A35, A16	N/A
Nissan	Maxima	1995-1999	Car	Lower	Front	A4, A34, A16	A37, A32 & A13, A16	N/A
Nissan	Maxima	2000-2003	Car	Lower	Front	A4, A34, A16	A37, A9 & A13, A16	N/A
Nissan	Pathfinder	2005-2012	SUV	Lower	Front	A11 & A13	A4, A21 & A13 or A28 or A24	N/A
Nissan	Pathfinder	2005-2012	SUV	Upper	Front	A13 & A21 or A28, B6, A16	A39, A35, A16	N/A
Nissan	Quest	2004-2009	Van	Lower	Front	A33, A4	A7, A38, A9	N/A
Nissan	Sentra	1991-1999	Car	Lower	Front	A33, A37	A37, A40	N/A
Nissan	Sentra	2000-2006	Car	Lower	Front	A7, A32, A16	A37, A32, A16	N/A
Nissan	Sentra	2007-2012	Car	Lower	Front	A21, A14, A33	A39, B5	N/A
Nissan	Titan	2004-2006	Truck	Upper	Front	A7, B6, A16	A39, A37, A16	N/A
Nissan	Titan	2004-2014	Truck	Lower	Front	A11 & A13	A4, A21 & A13 or A28 or A24	N/A
Nissan	Versa	2007-2012	Car	Lower	Front	A33, A29	A29, A32	N/A
Nissan	Xterra	2000-2004	SUV	Upper	Front	A13 & B21, A37, A16	A38, B11 & A14, A16	N/A
Nissan	Xterra	2000-2015	SUV	Lower	Front	A13, A11	A21, A13, A4	N/A
Nissan	Xterra	2005-2015	SUV	Upper	Front	A21, A13, B6	A35, A39	N/A
Oldsmobile	88	1985-1999	Car	Lower	Rear	A7, A6, A16	A37, A39, A16	N/A
Oldsmobile	98	1985-1996	Car	Lower	Rear	A7, A6, A16	A37, A39, A16	N/A
Oldsmobile	Bravada 2WD/4WD	2002-2004	SUV	Lower	Front	A18 & A13	A7, A38	N/A
Oldsmobile	Bravada 2WD/4WD	2002-2004	SUV	Upper	Front	A7, B20, A16	A33, A29, A16	N/A
Oldsmobile	LSS	1996-1999	Car	Lower	Rear	A7, A6, A16	A37, A39, A16	N/A
Oldsmobile	Regency	1997-1998	Car	Lower	Rear	A7, A6, A16	A37, A39, A16	N/A
Plymouth	Breeze	1996-2000	Car	Upper	Front	A7, A32, A16	A37, A39, A16	N/A
Plymouth	Breeze	1996-2000	Car	Upper	Rear	A7, A32, A16	A37, A39, A16	N/A
Plymouth	Grand Voyager	1991-2000	Van	Lower	Front	A33, A29 or A22 & A14	A37 or A22 & A13, A39	N/A
Plymouth	Laser	1990-1994	Car	Lower	Front	A33, A29	A7	N/A
Plymouth	Neon	1995-1999	Car	Lower	Front	A32, A7, A16	A27, A39, A16	N/A
Plymouth	Neon	2000-2001	Car	Lower	Front	A32, B9, A16	A29, A39, A16	N/A
Plymouth	Voyager	1991-2000	Van	Lower	Front	A33, A29 or A22 & A14	A37 or A22 & A13, A39	N/A
Plymouth	Voyager	2001-2003	Van	Lower	Front	A33, A29	A13 & A22, A39	N/A
Pontiac	Bonneville	1987-1999	Car	Lower	Rear	A7, A6, A16	A37, A39, A16	N/A

Make	Model	Year	Type	Position	Location	Removal Tools	Installation Tools	Comments
Pontiac	Firebird	1970-2002	Car	Lower	Front	A32, A20, A14, A16	A11 & A13, A19, A16	N/A
Pontiac	Soltice	2006-2007	Car	Lower	Front	A21, A14, A32	A28, A19	N/A
Saab	9-7X	2005-2009	Car	Lower	Front	A18 & A13	A7, A38	N/A
Saab	9-7X	2005-2009	Car	Upper	Front	A7, B20, A16	A33, A29, A16	N/A
Toyota	4-Runner	1996-2002	SUV	Upper	Front	A26, A7, A16	A37, A33, A16	N/A
Toyota	4-Runner	2003-2016	SUV	Upper	Front	A14, A33, A11	A21, A38, A13	N/A
Toyota	Echo	2000-2005	Car	Lower	Front	A33, A37	A37, A40	N/A
Toyota	FJ Cruiser	2007-2010	SUV	Upper	Front	A14, A33, A11	A21, A38, A13	N/A
Toyota	Land Cruiser	1998-2007	SUV	Lower	Front	B12	A7, B33, A14	N/A
Toyota	Land Cruiser	2008-2016	SUV	Lower	Front	A20, A13	A21, B33, A13, A14	N/A
Toyota	Sequoia	2001-2007	SUV	Upper	Front	A26, A7, A16	A37, A33, A16	N/A
Toyota	Sequoia	2008-2013	SUV	Lower	Front	A20, A13	A21, B33, A13, A14	N/A
Toyota	Tacoma	2005-2015	Truck	Lower	Front	B19 & A13	A38, A21 & A13	N/A
Toyota	Tacoma	2005-2015	Truck	Upper	Front	A3, A26, A16	A39 or A13 & A9, A37, A16	N/A
Toyota	Tacoma 4WD	1995-2004	Truck	Upper	Front	A26, A7, A16	A37, A33, A16	N/A
Toyota	Tacoma Prerunner 2WD	1995-2004	Truck	Upper	Front	A26, A7, A16	A37, A33, A16	N/A
Toyota	Tundra	2000-2006	Truck	Upper	Front	A26, A7, A16	A37, A33, A16	N/A
Toyota	Tundra	2007-2017	Truck	Lower	Front	A20, A13	A21, B33, A13, A14	N/A
Toyota	Tundra	2007-2017	Truck	Upper	Front	A14, A33, A11	A21, A38, A13	N/A
Toyota	Yaris	2007-2008	Car	Lower	Front	A37, A33	A37, A40	N/A
Volkswagen	Routan	2009-2014	Van	Lower	Front	A7, A26	A11, A38	N/A

**OEMTOOLS® 1 YEAR LIMITED WARRANTY**

For up to one year from the date of purchase of this OEMTOOLS® product, if you find any defect in material or workmanship (through normal usage), return it to the place of purchase or to OEMTOOLS® for repair or replacement at our discretion. In order to obtain this service, send the product and proof of purchase (transportation pre-paid) to:

OEMTOOLS® Q.A. Dept, 3580 E. Raines Road #3, Memphis, TN 38118.

We will not be responsible for lost or damaged goods during transportation; please insure your package. If our inspection verifies the defect, we will either repair or replace the product, or we may elect to refund the purchase price if we cannot readily and quickly provide you with a replacement. We will return repaired products at our expense, but if we determine there is no defect, or that the defect resulted from causes not within the scope of our warranty, then you must bear the cost of returning the product.

OEMTOOLS® does not provide warranty for products labeled other than OEM® or OEMTOOLS®. OEMTOOLS® will not provide any warranty for products subjected to abnormal use. Abnormal use includes (but is not limited to) abuse, accident, alteration, neglect, and unauthorized or unreasonable use or repairs. This warranty does not cover bits, blades, files, batteries, or calibration. We recommend that you maintain your tools and sharpen or replace blades, bits, files, and batteries as necessary. OEMTOOLS® reserves the right to make any changes in construction or design at any time without any obligation in incorporating such changes to tools or equipment previously sold.

OEMTOOLS® makes every effort to ensure that its products meet high quality and durability standards, and warrants to the original purchaser that this product is free from defects in materials and workmanship for the period of one year from the date of purchase. This warranty does not apply to damage due directly or indirectly to misuse, abuse, negligence or accidents, repairs or alterations outside our facilities, criminal activity, improper installation, normal wear and tear, or to lack of maintenance.

We shall in no event be liable for death, injuries to persons or property, or for incidental, contingent, special or consequential damages arising from the use of our product. Some states do not allow the exclusion or limitation of incidental or consequential damages, so the above limitation of exclusion may not apply to you. THIS WARRANTY IS EXPRESSLY IN LIEU OF ALL OTHER WARRANTIES, EXPRESS OR IMPLIED, INCLUDING THE WARRANTIES OF MERCHANTABILITY AND FITNESS. This warranty gives you specific legal rights, and you may also have other rights, which vary from state to state.

Don't forget to register your new OEMTOOLS® product at [www.oem-tools.com](http://www.oem-tools.com).

Lea y conserve estas instrucciones. Antes de usar este producto, lea atentamente todo el manual del operador. Protéjase usted y a otros observando toda la información sobre seguridad, advertencias y precauciones. El incumplimiento de estas instrucciones puede causar una lesión personal y/o daño al producto o daños materiales. Conserve todas las advertencias e instrucciones para referencia futura.



## JUEGO DE SERVICIO MAESTRO DE RÓTULA

### DESEMPAQUE

Después del desempaque, inspeccione cuidadosamente el producto para verificar si ha ocurrido algún daño durante el transporte. Verifique si hay piezas sueltas, faltantes o dañadas. Si observa daño, se debe presentar un reclamo por daños de envío al transportista. No use el OEMTOOLS® Juego de servicio maestro de rótula si se observan piezas rotas, dobladas, agrietadas o dañadas (incluidas las etiquetas). Cualquier taladro que parezca estar dañado de cualquier manera, que funciona de manera anormal o que tiene piezas faltantes debe ser puesto fuera de servicio inmediatamente. Si usted sospecha que el Juego de servicio maestro de rótula ha sido sometido a carga de choque (una carga que se dejó caer repentina o inesperadamente, etc.) deje de usarlo inmediatamente hasta que no sea revisado por un centro de servicio autorizado por la fábrica.



Caja 1 of 2



Caja 2 of 2

### ⚠ ADVERTENCIA

La siguiente información sobre seguridad se proporciona como una guía para ayudarle a operar su Juego de servicio maestro de rótula bajo las condiciones más seguras posibles. Cualquier herramienta o equipo puede ser potencialmente peligroso de usar cuando no se conocen o no se cumplen las instrucciones de seguridad o de manipulación segura. Las siguientes instrucciones sobre seguridad tienen por objeto proporcionar al usuario la información necesaria para uso y operación segura. Lea y conserve estas instrucciones para que el uso de su sistema de servicio se mantenga seguro. El incumplimiento de las instrucciones siguientes puede causar una lesión grave. Asimismo, asegúrese de que cualquier persona que use el equipo comprenda y cumpla también estas instrucciones de seguridad.

### Explicación de las advertencias sobre seguridad

**⚠ ADVERTENCIA:** Indica una situación potencialmente peligrosa que, si no se evita, puede causar la muerte o una lesión grave.

**⚠ ATENCIÓN:** Indica una situación potencialmente peligrosa que, si no se evita, puede causar una lesión menor o moderada.

**CAUTION:** Usado sin el símbolo de alerta sobre seguridad indica una situación potencialmente peligrosa que, si no se evita, puede causar daños materiales.

**NOTA:** Proporcionan claridad e información útil.

Le agradecemos que haya elegido un producto de OEMTOOLS®.

Conserve el recibo, la garantía y estas instrucciones. Es importante que lea todo el manual para familiarizarse con este producto antes de comenzar a usarlo. Este producto ha sido diseñado para ciertas aplicaciones solamente. OEMTOOLS® no puede ser responsable de problemas originados a causa de modificaciones. Recomendamos encarecidamente que este producto no sea modificado y/o usado para cualquier otra aplicación que no sea aquella para la cual fue diseñado. Si tiene alguna pregunta relativa a una aplicación en particular, NO utilice este producto hasta que no haya contactado primero al servicio a los clientes para determinar si tal aplicación puede o se debe realizar en el producto.

**⚠ ADVERTENCIA:** Este producto puede exponerle a productos químicos que según conocido por el estado de California para causar cáncer o defectos reproductivos. Para obtener más información, vaya a [www.p65warnings.ca.gov](http://www.p65warnings.ca.gov).



## JUEGO DE SERVICIO MAESTRO DE RÓTULA

### ! INSTRUCCIONES IMPORTANTES Y REGLAS DE SEGURIDAD

1. Conozca su herramienta. Lea atentamente este manual. Aprenda las aplicaciones y limitaciones de la herramienta al igual que sus posibles peligros.
2. Mantenga el área de trabajo limpia y bien iluminada. Las áreas de trabajo desordenadas u oscuras son propensas a accidentes.
3. Mantenga alejados a los niños. Todos los niños se deben mantener alejados del área de trabajo. Nunca permita que un niño manipule una herramienta sin tener la estricta supervisión de un adulto.
4. NO haga funcionar esta herramienta si usted está bajo la influencia de alcohol o drogas. Lea las advertencias indicadas en las recetas para determinar si su juicio o reflejos se ven afectados mientras toma medicamentos. Si tiene alguna duda NO trate de poner en funcionamiento la herramienta.
5. Use equipo de seguridad. Es necesario usar protección ocular siempre que se opere esta herramienta. Use lentes de seguridad aprobados por ANSI. Los lentes de uso diario NO son gafas de seguridad. Se debe usar una máscara contra el polvo, zapatos de seguridad antideslizantes, casco o protección auditiva en las condiciones apropiadas.
6. Use vestimenta apropiada. La ropa holgada, los guantes, corbatas, anillos, pulseras u otras joyas pueden presentar un riesgo potencial cuando se opera esta herramienta. Mantenga toda la ropa alejada de la herramienta.
7. NO sobrepase su alcance. Mantenga una posición firme y buen equilibrio siempre que opere esta herramienta.
8. Verifique si ha ocurrido daño. Revise su herramienta regularmente. Si se daña una pieza de la herramienta, se debe inspeccionar cuidadosamente para asegurarse de que puede realizar su función prevista correctamente. Si tiene duda, la pieza debe ser reparada. Delegue todo el servicio a un técnico calificado. Consulte a su distribuidor para obtener asesoría.
9. Mantenga la herramienta alejada de productos inflamables. No trate de usar esta herramienta cerca de materiales inflamables o combustibles. El incumplimiento de esta advertencia puede causar una lesión grave o mortal.
10. Guarde las herramientas que no están siendo usadas lejos del alcance de los niños y de personas inexpertas. Las herramientas pueden ser peligrosas en manos de usuarios inexpertos.
11. Mantenga la herramienta con cuidado.
12. Mantenga la herramienta seco y limpio.
13. Las herramientas bien mantenidas tienen menos probabilidades de atascarse y son más fáciles de controlar. No utilice una herramienta dañada. Etiquete las herramientas dañadas con "No usar" hasta su reparación.
14. Verifique la desalineación o atascamiento de las piezas móviles, rotura de piezas y cualquier otra condición que pueda afectar el funcionamiento de la herramienta.
15. Si está dañada, haga reparar la herramienta antes de usarla. Muchos accidentes son causados por herramientas mal mantenidas.
16. Verifique la desalineación o atascamiento de las piezas móviles, rotura de piezas y cualquier otra condición que pueda afectar el funcionamiento de la herramienta.
17. Use solamente accesorios recomendados por el fabricante para su modelo. Los accesorios que pueden ser adecuados para una herramienta pueden ser peligrosos cuando se utilizan en otra herramienta.
18. Cuando repare una herramienta use solamente repuestos idénticos. El uso de piezas no autorizadas o el incumplimiento de las instrucciones puede crear un riesgo de lesión.
19. Mantenga un entorno de trabajo seguro. Mantenga el área de trabajo bien iluminada. Asegúrese de que haya a su alrededor

suficiente espacio para trabajar. Mantenga el área de trabajo libre de obstrucciones, grasa, aceite, basuras y otros desechos. NO use este producto en un lugar húmedo o mojado.

20. Mantenga las etiquetas y placas de identificación en este producto. Ellas tienen información importante. Si son ilegibles o faltan, póngase en contacto con OEMTOOLS® para obtener un repuesto.
21. Antes de usar, lea y comprenda todas las advertencias, precauciones de seguridad e instrucciones descritas en el manual de servicio del fabricante del vehículo. Está fuera del alcance de este manual describir de manera adecuada el procedimiento y los datos de prueba correctos para cada vehículo.
22. Siempre realice el servicio del vehículo en un área adecuadamente ventilada. Nunca haga funcionar un motor sin tener ventilación adecuada para el escape. Detenga el trabajo y tome las medidas necesarias para mejorar la ventilación en el área de trabajo si usted experimenta irritación momentánea de los ojos, nariz o garganta pues esto indica ventilación inadecuada.

### ! ADVERTENCIA

- Las piezas del motor que están en movimiento y el movimiento inesperado de un vehículo pueden causar una lesión o matar. Cuando trabaje cerca de piezas móviles del motor, use ropa ajustada y mantenga sus manos y sus dedos alejados de las piezas móviles. Mantenga las mangueras y herramientas alejadas de las piezas móviles. Las mangueras y herramientas pueden ser lanzadas al aire si no mantienen alejadas de las piezas móviles del motor. Cuando trabaje en vehículos, siempre ponga el freno de estacionamiento y bloquee las ruedas.
- Evite incendios accidentales y/o explosiones. No fume cerca del combustible del motor ni de los componentes de la batería.
- Las advertencias, precauciones e instrucciones indicadas en este manual no pueden cubrir todas las condiciones y situaciones posibles que puedan ocurrir. El operador debe comprender que el sentido común y la precaución son factores que no pueden integrarse en este producto, sino que deben ser proporcionados por el operador.
- Por razones de seguridad y la prevención de daños a componentes caros, se aconseja que el usuario tenga una comprensión básica de reparaciones de vehículos y conocimientos prácticos sobre sistemas automotrices.

**NOTA:** Creemos que la información contenida aquí es confiable. Sin embargo, la información técnica general que proporcionamos es sin cargo y el usuario empleará tal información por su propia cuenta y riesgo. No asumimos ninguna responsabilidad por los resultados o daños incurridos a causa del uso de tal información en su totalidad o parcialmente. Siempre consulte las instrucciones específicas y la información técnica suministrada por el fabricante del vehículo.

**NOTA:** El fabricante declina cualquier responsabilidad por daños a vehículos o a sus componentes si tal daño es el resultado de manejo inexperto por el operador o de incumplimiento de las reglas de seguridad básicas indicadas en el manual de instrucciones.

- Este equipo está destinado a uso profesional solamente por personal entrenado en realizar las funciones de servicio para las cuales fue diseñado.
- Este equipo ha sido diseñado para dar servicio a una variedad de vehículos de manera segura y conveniente. Sin embargo, debido a las diferencias en las marcas y modelos de los vehículos puede que no sea posible usar este equipo como fue previsto. NO trate de forzar el uso de este equipo en alguna aplicación para la cual no ha sido diseñado.
- Los procedimientos documentados en este manual son para usarlos como guías durante el uso de este equipo.
- Además de estas pautas, siempre siga los procedimientos recomendados por el fabricante cuando preste servicio a cada vehículo único.



# JUEGO DE SERVICIO MAESTRO DE RÓTULA

## ADAPTADORES EN EL JUEGO DE SERVICIO MAESTRO DE RÓTULA PIEZA NO. 37388 DE OEMTOOLS®

<b>A3</b>	<b>A4</b>	<b>A5</b>	<b>A6</b>	<b>A7</b>
<b>A8</b>	<b>A9</b>	<b>A10</b>	<b>A11</b>	<b>A12</b>
<b>A13</b>	<b>A14</b>	<b>A15</b>	<b>A17</b>	<b>A18</b>
<b>A19</b>	<b>A20</b>	<b>A21</b>	<b>A22</b>	<b>A23</b>
<b>A24</b>	<b>A25</b>	<b>A26</b>	<b>A27</b>	<b>A28</b>



# JUEGO DE SERVICIO MAESTRO DE RÓTULA

## ADAPTADORES EN EL JUEGO DE SERVICIO MAESTRO DE RÓTULA PIEZA NO. 37388 DE OEMTOOLS®

 <b>A29</b>	 <b>A30</b>	 <b>A31</b>	 <b>A32</b>	 <b>A33</b>
 <b>A34</b>	 <b>A35</b>	 <b>A36</b>	 <b>A37</b>	 <b>A38</b>
 <b>A39</b>	 <b>A40</b>	 <b>A41</b>	 <b>B1</b>	 <b>B2</b>
 <b>B3</b>	 <b>B4</b>	 <b>B5</b>	 <b>B6</b>	 <b>B7</b>
 <b>B8</b>	 <b>B9</b>	 <b>B10</b>	 <b>B11</b>	 <b>B12</b>



# JUEGO DE SERVICIO MAESTRO DE RÓTULA

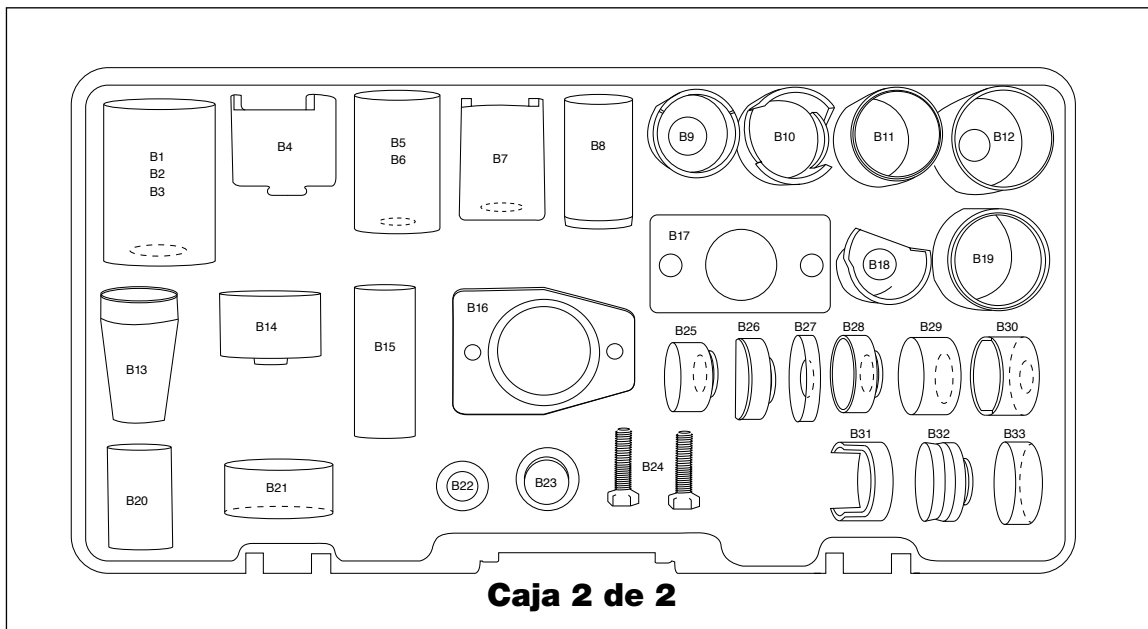
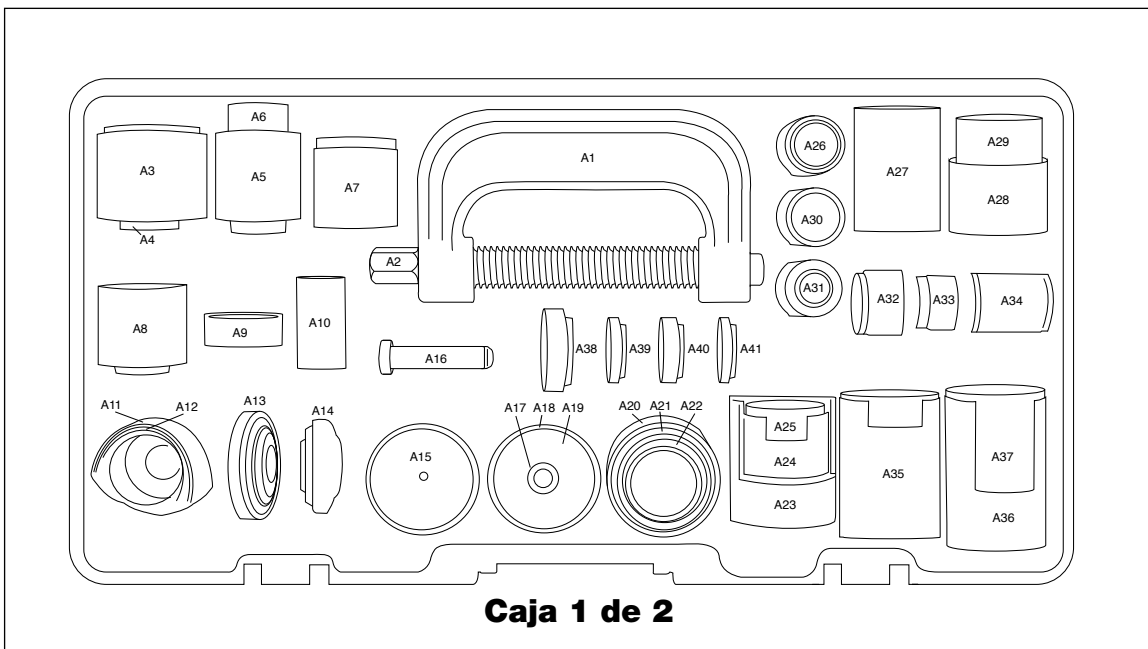
## ADAPTADORES EN EL JUEGO DE SERVICIO MAESTRO DE RÓTULA PIEZA NO. 37388 DE OEMTOOLS®

 <b>B13</b>	 <b>B14</b>	 <b>B15</b>	 <b>B16</b>	 <b>B17</b>
 <b>B18</b>	 <b>B19</b>	 <b>B20</b>	 <b>B21</b>	 <b>B22</b>
 <b>B23</b>	 <b>B25</b>	 <b>B26</b>	 <b>B27</b>	 <b>B28</b>
 <b>B29</b>	 <b>B30</b>	 <b>B31</b>	 <b>B32</b>	 <b>B33</b>



# JUEGO DE SERVICIO MAESTRO DE RÓTULA

## OTROS COMPONENTES EN EL JUEGO DE SERVICIO MAESTRO DE RÓTULA PIEZA NO. 37388 DE OEMTOOLS®





## JUEGO DE SERVICIO MAESTRO DE RÓTULA

### ADVERTENCIA SOBRE LAS INSTRUCCIONES DE FUNCIONAMIENTO

#### ⚠️ ADVERTENCIA

- Siempre lea y comprenda el manual del producto y el manual de mantenimiento del vehículo antes de usar.
- Nunca coloque los dedos, las manos ni otras extremidades entre la prensa para rótula, los adaptadores y el brazo de control. Hay muchos puntos de pellizco en este sistema que pueden causar una lesión personal grave.
- Cuando se presionan las rótulas que están atascadas se puede crear mucha presión en el sistema. Cuando se alivia esta presión, la herramienta y los adaptadores pueden desprenderse. Mantenga todas las partes del cuerpo y las herramientas alejadas del sistema durante el procedimiento de prensado.
- UTILICE SIEMPRE GAFAS Y GUANTES DE SEGURIDAD

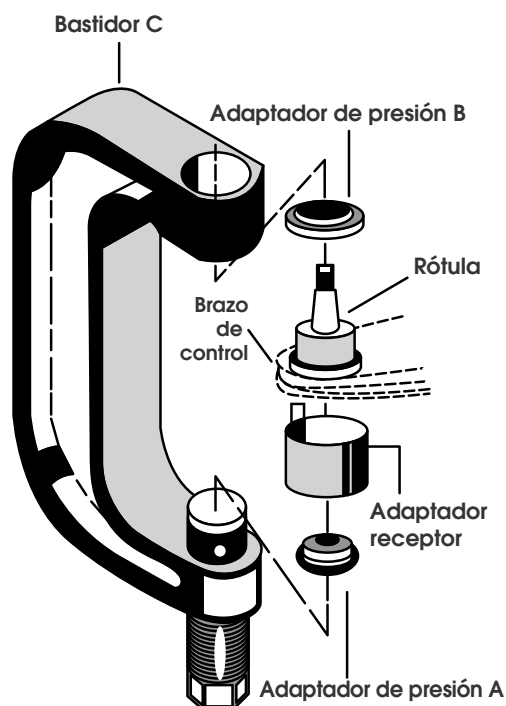
### INSTRUCCIONES

#### EXTRACCIÓN DE LA RÓTULA:

**NOTA:** Algunos vehículos pueden tener soldaduras por puntos o aros de resorte que mantienen la rótula en su lugar. Estos se deben extraer antes del servicio.

1. Consulte el manual de mantenimiento del vehículo para los procedimientos y precauciones de reparación específicos. Seleccione los adaptadores adecuados para el vehículo.
2. Coloque el bastidor en C alrededor de la combinación de adaptadores seleccionada y apriete el tornillo forzador hasta que esté bien apretado. Verifique que la dirección de recorrido del tornillo forzador sea consistente con la dirección necesaria para presionar la rótula hacia afuera.

- NOTA:** Verifique el alineamiento del tornillo forzador antes del paso 3.
3. Continúe apretando el tornillo forzador hasta que la rótula sea presionada hacia afuera.



### PROPÓSITO

Se utiliza para retirar e instalar rótulas insertadas a presión en la mayoría de los automóviles, vehículos todo terreno y camiones livianos. El conjunto de la prensa también servirá para muchas juntas universales.

Juego de servicio maestro de rótula de OEMTOOLS® incluye 2 cajas.

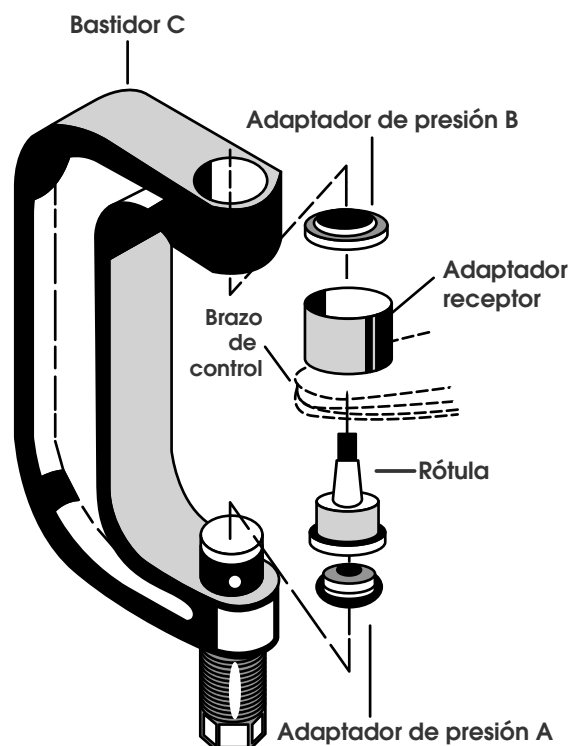
- Caja 1 de 2 incluye bastidor en C y 40 piezas
- Caja 2 de 2 incluye 33 piezas

### INSTRUCCIONES

#### INSTALACIÓN DE LA RÓTULA:

1. Limpie el brazo de control, cubra con un lubricante adecuado.
2. Consulte el manual de mantenimiento del vehículo para los procedimientos y precauciones de reparación específicos. Seleccione los adaptadores adecuados para el vehículo.
3. Coloque el bastidor en C alrededor de la combinación de adaptadores seleccionada y apriete el tornillo forzador hasta que esté bien apretado. Verifique que la dirección de recorrido del tornillo forzador sea consistente con la dirección necesaria para presionar la nueva rótula en su lugar.

- NOTA:** Verifique el alineamiento del tornillo forzador antes del paso 4.
4. Continúe apretando el tornillo forzador hasta que la rótula esté firmemente asentada.



**TABLA DE APLICACIONES DE JUEGO DE SERVICIO DE RÓTULA**

Marca	Modelo	Año	Tipo	Posición	Ubicación	Herramientas de desmontaje	Herramientas de instalación	Comentarios
Acura	CL 2.2L	1997	Automóvil	Inferior	Frente	A5, A31, A16	A41, A27 o A37, A16	Rótula en el husillo en vez del brazo de control
Acura	CL 2.3L	1998-1999	Automóvil	Inferior	Frente	A5, A31, A16	A41, A27 o A37, A16	Rótula en el husillo en vez del brazo de control
Acura	CL 3.2L	2001-2003	Automóvil	Inferior	Frente	A5, A31, A16	A41, A27 o A37, A16	Rótula en el husillo en vez del brazo de control
Acura	CL 3.2L	2001-2003	Automóvil	Superior	Frente	A22 y A13, A10, A16	A37, A39, A16	N/A
Acura	CL 3.0L	1997-1999	Automóvil	Inferior	Frente	A5, A31	A41, A27 o A37, A16	Rótula en el husillo en vez del brazo de control
Acura	Integra	1994-2001	Automóvil	Inferior	Frente	A6, A8, A16	A41, A27, A16	N/A
Acura	MDX	2001-2006	SUV	Inferior	Frente	A33, A4	A7 o A13 y A22, A38, y B2	N/A
Acura	RL 3.5L	1996-2008	Automóvil	Inferior	Frente	A6, A8, A16	A27, A39, A16	N/A
Acura	RSX	2002-2006	Automóvil	Inferior	Frente	A22 y A13, A32, A16	A27	N/A
Acura	TL	2007-2008	Automóvil	Inferior	Frente	B18, A6, A16	A37, A41	N/A
Acura	TL 2.5L	1996-1999	Automóvil	Inferior	Frente	B18, A6, A16	A39, A27, A16	N/A
Acura	TL 3.2L	1996-1998	Automóvil	Inferior	Frente	A12, A6, A16	A27, A16	N/A
Acura	TL 3.2L	1999-2003	Automóvil	Inferior	Frente	A31, A137	A37, o A27, A41	NA
Acura	TL 3.2L	1999-2003	Automóvil	Superior	Frente	A22 y A13, A10, A16	A37, A39, A16	N/A
Acura	TL 3.2L	2004-2006	Automóvil	Inferior	Frente	B18, A6, A16	Parte superior del bastidor C o A41, A37, A16	N/A
Acura	TSX	2004-2008	Automóvil	Inferior	Frente	A12, A6, A16	A27, A40, A16	N/A
Acura	TSX	2004-2008	Automóvil	Superior	Frente	A22 y A13, A10, A16	A37, A39, A16	N/A
BMW	318 (E36)	Before 1999	Automóvil	Inferior	Interior frontal	A33, A4	A13, A19, A9	N/A
BMW	318 (E36)	Before 1999	Automóvil	Inferior	frente exterior	A14, B10, B25	A7, A14, B31	N/A
BMW	323 (E36)	Before 1999	Automóvil	Inferior	Interior frontal	A33, A4	A13, A19, A9	N/A
BMW	323 (E36)	Before 1999	Automóvil	Inferior	frente exterior	A14, B10, B25	A7, A14, B31	N/A
BMW	328 (E36)	Before 1999	Automóvil	Inferior	Interior frontal	A33, A4	A13, A19, A9	N/A
BMW	328i (E36)	Before 1999	Automóvil	Inferior	frente exterior	A14, B10, B25	A7, A14, B31	N/A
BMW	M3 (E36)	Before 1999	Automóvil	Inferior	Interior frontal	A33, A4	A13, A19, A9	N/A
BMW	M3 (E36)	Before 1999	Automóvil	Inferior	frente exterior	A14, B10, B25	A7, A14, B31	N/A
Buick	LeSabre	1986-1999	Automóvil	Inferior	Posterior	A7, A6, A16	A37, A39, A16	N/A
Buick	Park Avenue	1991-1997	Automóvil	Inferior	Posterior	A7, A6, A16	A37, A39, A16	N/A
Buick	Rainier	2004-2007	SUV	Inferior	Frente	A18 y A13	A7, A38	N/A
Buick	Rainier	2004-2007	SUV	Superior	Frente	A7, B20, A16	A33, A29, A16	N/A
Buick	Roadmaster	1991-1996	Automóvil	Inferior	Frente	A32, A20, A14, A16	A11 y A13, A19, A16	N/A
Cadillac	CTS	2003-2008	Automóvil	Inferior	Frente	A21 y A14, A39, A16	A21 y A13, A38, A16	N/A

Marca	Modelo	Año	Tipo	Posición	Ubicación	Herramientas de desmontaje	Herramientas de instalación	Comentarios
Cadillac	DeVille	1997-2005	Automóvil	Inferior	Frente	A20, A21, A13, A14	A21 y A14	Suspensión de servicio pesado, Limo/ Chasis comercial
Cadillac	Escalade	1999-2000	SUV	Inferior	Frente	A18 y A13	A14 y A21, A28	N/A
Cadillac	Escalade	2002-2007	SUV	Inferior	Frente	A13 y A11	A38 o A14 y B33, A28	N/A
Cadillac	Escalade	2002-2007	SUV	Superior	Frente	A28, B6, A16	B27, A37 y A4, A16	N/A
Cadillac	Fleetwood	1993-1996	Automóvil	Inferior	Frente	A32, A20, A14, A16	A11 y A13, A19, A16	N/A
Cadillac	XLR	2004-2009	Automóvil	Superior	Frente	A33, A4	A22, A13, A40	N/A
Cadillac	XLR	2007-2009	Automóvil	Inferior	Frente	A21, A14, A32	A28, A19	N/A
Cadillac	XLR-V	2006-2009	Automóvil	Inferior	Frente	A21, A14, A32	A28, A19	N/A
Cadillac	XLR-V	2006-2009	Automóvil	Superior	Frente	A33, A4	A22, A13, A40	N/A
Chevrolet	1500 2WD	1998-1999	Camión	Inferior	Frente	B29, A20, A14, A16	A13 y A20, A19, A16	N/A
Chevrolet	1500 4WD	1996-1999	Camión	Inferior	Frente	A18 y A13	A14 y A21, A28	N/A
Chevrolet	2500 2WD	1998-2000	Camión	Inferior	Frente	B29, A20, A14, A16	A13 y A20, A19, A16	N/A
Chevrolet	2500 2WD w/7200 Lb.	1991-1992	Camión	Inferior	Frente	A13 y A21, A20 y A14	A13 y A20, A19, A16	N/A
Chevrolet	2500 2WD w/8600 Lb. GVW	1991-1992	Camión	Inferior	Frente	A13 y A21, A20 y A14	A13 y A20, A19, A16	N/A
Chevrolet	2500 4WD	1996-1999	Camión	Inferior	Frente	A18 y A13	A14 y A21, A28	N/A
Chevrolet	3500 2WD w/IFS	1998-2000	Camión	Inferior	Frente	A20, A14, B29	A20, A13, A19	N/A
Chevrolet	3500 2WD w/IFS; 5th digit of VIN is C	1991-1992	Camión	Inferior	Frente	A13 y A21, A20 y A14	A13 y A20, A19, A16	N/A
Chevrolet	3500 4WD	1996-1999	Camión	Inferior	Frente	A18 y A13	A14 y A21, A28	N/A
Chevrolet	Astro 2WD	1985-2005	Furgón	Inferior	Frente	A32, A20 y A14	A28, A21 o B33 y A14	N/A
Chevrolet	Avalanche 1500 2WD/4WD	2002-2008	Camión	Superior	Frente	A28, B6, A16	B27, A37 y A4, A16	N/A
Chevrolet	Avalanche 1500 2WD/4WD	2002-2014	Camión	Inferior	Frente	A13 y A11	A38 o A14 y B33, A28	N/A
Chevrolet	Avalanche 2500 2WD/4WD	2002-2006	Camión	Inferior	Frente	A18 y A13	A38, A28 o A21 y A13	N/A
Chevrolet	Avalanche 2500 2WD/4WD	2002-2006	Camión	Superior	Frente	B30, B15, A16	A39, B5, A16	N/A
Chevrolet	Blazer	1982-2005	SUV	Inferior	Frente	A32, A20, A14, A16	A11 y A13, A19, A16	N/A
Chevrolet	Camaro	1970-2002	Automóvil	Inferior	Frente	A32, A20, A14, A16	A11 y A13, A19, A16	N/A
Chevrolet	Caprice	1977-1996	Automóvil	Inferior	Frente	A32, A20, A14, A16	A11 y A13, A19, A16	N/A
Chevrolet	Corvette	1984-1996	Automóvil	Inferior	Frente	A14 y A21, A20 y A13	A13 y A21, A39	N/A
Chevrolet	Corvette	1997-2011	Automóvil	Inferior	Frente	A21 y A14, A32, A16	A28, A19, A16	N/A
Chevrolet	Corvette	1997-2011	Automóvil	Superior	Frente	A33, A4	A22 y A13, A40	N/A
Chevrolet	Express 1500	1996-2002	Furgón	Inferior	Frente	B29, A20, A14, A16	A13 y A20, A19, A16	N/A
Chevrolet	Express 1500	2003-2014	Furgón	Inferior	Frente	A13 y A11	A38 o A14 y B33, A28 o A21 y A13	N/A
Chevrolet	Express 1500	2003-2014	Furgón	Superior	Frente	A28, B6, A16	B27, A37 y A4, A16	N/A
Chevrolet	Express 2500	1996-2002	Furgón	Inferior	Frente	B29, A20, A14, A16	A13 y A20, A19, A16	N/A
Chevrolet	Express 2500 w/7300 Lb. GVW	2003-2008	Furgón	Inferior	Frente	A13 y A11	A38 o A14 y B33, A28	N/A
Chevrolet	Express 2500 w/7300 Lb. GVW	2003-2008	Furgón	Superior	Frente	A28, B6, A16	B27, A37 y A4, A16	N/A
Chevrolet	Express 2500 w/8500 Lb. GVW	2003-2016	Furgón	Inferior	Frente	A23	A38, A21 y A13 o A28	N/A

Marca	Modelo	Año	Tipo	Posición	Ubicación	Herramientas de desmontaje	Herramientas de instalación	Comentarios
Chevrolet	Express 2500 w/8500 Lb. GVW	2003-2017	Furgón	Superior	Frente	B30, A32 y B20, A16	A39, A37, A16	N/A
Chevrolet	Express 3500	1996-2016	Furgón	Inferior	Frente	A23	A38, A21 y A13 o A28	N/A
Chevrolet	Express 3500	2003-2017	Furgón	Superior	Frente	B30, A32 y B20, A16	A39, A37, A16	N/A
Chevrolet	Impala	1994-1996	Automóvil	Inferior	Frente	A32, A20, A14, A16	A11 y A13, A19, A16	N/A
Chevrolet	S-10	1982-2005	Camión	Inferior	Frente	A32, A20, A14, A16	A11 y A13, A19, A16	N/A
Chevrolet	Silverado 1500 2WD/4WD	1999-2006	Camión	Superior	Frente	A28, B6, A16	B27, A37 y A4, A16	N/A
Chevrolet	Silverado 1500 2WD/4WD Old Style	2007	Camión	Superior	Frente	A28, B6, A16	B27, A37 y A4, A16	N/A
Chevrolet	Silverado 1500 4WD	1999-2016	Camión	Inferior	Frente	A13 y A11	A38 o A14 y B33, A28	N/A
Chevrolet	Silverado 1500 4WD Old Style	2007	Camión	Inferior	Frente	A13 y A11	A38 o A14 y B33, A28	N/A
Chevrolet	Silverado 1500 HD 2WD/4WD	2001-2007	Camión	Inferior	Frente	A18 y A13	A38, A28 o A21 y A13	N/A
Chevrolet	Silverado 1500 HD 2WD/4WD	2001-2007	Camión	Superior	Frente	B30, B15, A16	A39, B5, A16	N/A
Chevrolet	Silverado 2500 & 2500 HD 4WD	1999	Camión	Inferior	Frente	A18 y A13	A38, A28 o A21 y A13	N/A
Chevrolet	Silverado 2500 & 2500 HD 4WD	1999-2020	Camión	Superior	Frente	B30, B15, A16	A39, B5, A16	N/A
Chevrolet	Silverado 2500 2WD	1999-2000	Camión	Superior	Frente	B30, A32 y B20, A16	A39, A37, A16	N/A
Chevrolet	Silverado 2500 2WD/4WD	2001-2007	Camión	Inferior	Frente	A18 y A13	A38, A28 o A21 y A13	N/A
Chevrolet	Silverado 2500 2WD/4WD	2001-2007	Camión	Superior	Frente	B30, B15, A16	A39, B5, A16	N/A
Chevrolet	Silverado 2500 4WD	2000	Camión	Inferior	Frente	A18 y A13	A38, A28 o A21 y A13	N/A
Chevrolet	Silverado 2500 4WD	2000	Camión	Superior	Frente	B30, B15, A16	A39, B5, A16	N/A
Chevrolet	Silverado 2500 HD 2WD/4WD	2001-2010	Camión	Inferior	Frente	A18 y A13	A38, A28 o A21 y A13	N/A
Chevrolet	Silverado 2500 HD 2WD/4WD	2001-2010	Camión	Superior	Frente	B30, B15	A39, B5	N/A
Chevrolet	Silverado 2500 HD 2WD/4WD	2001-2010	Camión	Superior	Frente	B30, B15, A16	A39, B5, A16	N/A
Chevrolet	Silverado 2500 HD 2WD/4WD	2001-2017	Camión	Inferior	Frente	A18, A13	A38, A28 o A21, A13	N/A
Chevrolet	Silverado 3500 2WD/4WD	2001-2010	Camión	Inferior	Frente	A18 y A13	A38, A28 o A21 y A13	N/A
Chevrolet	Silverado 3500 2WD/4WD	2001-2010	Camión	Superior	Frente	B30, B15, A16	A39, B5, A16	N/A
Chevrolet	SSR	2003-2006	Camión	Inferior	Frente	A18, A13	A7, A38	N/A
Chevrolet	SSR	2003-2006	SUV	Inferior	Frente	A18 y A13	A7, A38	N/A
Chevrolet	SSR	2003-2006	Camión	Superior	Frente	A7, B20	A33, A29	N/A
Chevrolet	SSR	2003-2006	SUV	Superior	Frente	A7, B20, A16	A33, A29, A16	N/A
Chevrolet	Suburban 1500 2WD	1992	Camión	Inferior	Frente	A13 y A21, A20 y A14	A13 y A20, A19, A16	N/A
Chevrolet	Suburban 1500 2WD	1993-1999	SUV	Inferior	Frente	B29, A20, A14, A16	A13 y A20, A19, A16	N/A
Chevrolet	Suburban 1500 2WD/4WD	2000-2006	SUV	Superior	Frente	A28, B6, A16	B27, A37 y A4, A16	N/A
Chevrolet	Suburban 1500 2WD/4WD	2000-2017	SUV	Inferior	Frente	A13 y A11	A38 o A14 y B33, A28 o A21 y A13	N/A
Chevrolet	Suburban 1500 4WD	1996-1999	SUV	Inferior	Frente	A18 y A13	A14 y A21, A28	N/A
Chevrolet	Suburban 2500 2WD	1992	Camión	Inferior	Frente	A13 y A21, A20 y A14	A13 y A20, A19, A16	N/A
Chevrolet	Suburban 2500 2WD	1993-1999	SUV	Inferior	Frente	B29, A20, A14, A16	A13 y A20, A19, A16	N/A
Chevrolet	Suburban 2500 2WD	2000	SUV	Superior	Frente	B30, A32 y B20, A16	A39, A37, A16	N/A

Marca	Modelo	Año	Tipo	Posición	Ubicación	Herramientas de desmontaje	Herramientas de instalación	Comentarios
Chevrolet	Suburban 2500 2WD/4WD	2001-2008	SUV	Inferior	Frente	A18 y A13	A38, A28 o A21 y A13	N/A
Chevrolet	Suburban 2500 2WD/4WD	2001-2011	SUV	Superior	Frente	B30, B15, A16	A39, B5, A16	N/A
Chevrolet	Suburban 2500 4WD	1996-1999	SUV	Inferior	Frente	A18 y A13	A14 y A21, A28	N/A
Chevrolet	Suburban 2500 4WD	2000	SUV	Inferior	Frente	A18 y A13	A38, A28 o A21 y A13	N/A
Chevrolet	Suburban 2500 4WD	2000	SUV	Superior	Frente	B30, B15, A16	A39, B5, A16	N/A
Chevrolet	Tahoe	1999-2000	SUV	Inferior	Frente	A20, A14, B29	A20, A13, A19	N/A
Chevrolet	Tahoe 2WD	1995-1999	SUV	Inferior	Frente	B29, A20, A14, A16	A13 y A20, A19, A16	N/A
Chevrolet	Tahoe 2WD New Style, Exc. Limited	2000	SUV	Inferior	Frente	A13 y A11	A38 o A14 y B33, A28	N/A
Chevrolet	Tahoe 2WD New Style, Exc. Limited	2000	SUV	Superior	Frente	A28, B6, A16	B27, A37 y A4, A16	N/A
Chevrolet	Tahoe 2WD/4WD	2001-2006	SUV	Superior	Frente	A28, B6, A16	B27, A37 y A4, A16	N/A
Chevrolet	Tahoe 2WD/4WD	2001-2016	SUV	Inferior	Frente	A13 y A11	A38 o A14 y B33, A28	N/A
Chevrolet	Tahoe 2WD/4WD	2007-2008	SUV	Inferior	Frente	A13 y A11, A16	A14 y B33, A13 y A21	N/A
Chevrolet	Tahoe 4WD	1996-2000	SUV	Inferior	Frente	A18 y A13	A14 y A21, A28	N/A
Chevrolet	Tahoe 4WD New Style, Exc. Z71	2000	SUV	Inferior	Frente	A13 y A11	A38 o A14 y B33, A28	N/A
Chevrolet	Tahoe 4WD New Style, Exc. Z71	2000	SUV	Superior	Frente	A28, B6, A16	B27, A37 y A4, A16	N/A
Chevrolet	Trailblazer 2WD/4WD	2002-2009	SUV	Inferior	Frente	A18 y A13	A7, A38	N/A
Chevrolet	Trailblazer 2WD/4WD	2002-2009	SUV	Superior	Frente	A7, B20, A16	A33, A29, A16	N/A
Chevrolet	Trailblazer EXT 2WD/4WD	2003-2007	SUV	Inferior	Frente	A18 y A13	A7, A38	N/A
Chevrolet	Trailblazer EXT 2WD/4WD	2003-2007	SUV	Superior	Frente	A7, B20, A16	A33, A29, A16	N/A
Chrysler	200	2011-2014	Automóvil	Inferior	Frente	B23, A36	A37, B26	N/A
Chrysler	300	2005-2017	Automóvil	Inferior	Frente	B17, B16, A3	A7, A38	N/A
Chrysler	Aspen 2WD/4WD	2007-2009	SUV	Inferior	Frente	B4, A16	A13 y A21 o A28, B33	N/A
Chrysler	Cirrus	1995-2000	Automóvil	Superior	Frente	A7, A32, A16	A37, A39, A16	N/A
Chrysler	Cirrus	1995-2000	Automóvil	Superior	Posterior	A7, A32, A16	A37, A39, A16	N/A
Chrysler	Grand Voyager	2000	Furgón	Inferior	Frente	A33, A29 o A22 y A14	A37 o A22 y A13, A39	N/A
Chrysler	Neon	2000-2002	Automóvil	Inferior	Frente	B6, B9	A29, A39	N/A
Chrysler	Pacifica FWD/AWD	2005-2008	SUV	Inferior	Frente	A33, A29	A37, A39	N/A
Chrysler	PT Cruiser	2001-2010	Automóvil	Inferior	Frente	A32, B9, A16	A29, A39, A16	N/A
Chrysler	Sebring Convertible	2007	Automóvil	Inferior	Frente	B23, A36, A16	A37, B26, A16	N/A
Chrysler	Sebring Convertible	1996-2006	Automóvil	Superior	Frente	A7, A32, A16	A37, A39, A16	N/A
Chrysler	Sebring Convertible	1996-2006	Automóvil	Superior	Posterior	A7, A32, A16	A37, A39, A16	N/A
Chrysler	Sebring Coupe	2001-2005	Automóvil	Inferior	Frente	A6, A7, A16	A27, A9 y A13, A16	N/A
Chrysler	Sebring Sedan	1996-2006	Automóvil	Superior	Frente	A7, A32, A16	A37, A39, A16	N/A
Chrysler	Sebring Sedan	2001-2006	Automóvil	Superior	Posterior	A7, A32, A16	A37, A39, A16	N/A
Chrysler	Sebring Sedan	2007-2008	Automóvil	Inferior	Frente	B23, A36	A37, B26	N/A
Chrysler	Town & Country	1991-2007	Furgón	Inferior	Frente	A33, A29 o A22 y A14	A37 o A22 y A13, A39	N/A

Marca	Modelo	Año	Tipo	Posición	Ubicación	Herramientas de desmontaje	Herramientas de instalación	Comentarios
Chrysler	Town & Country	2008-2016	Furgón	Inferior	Frente	A14, A33, A11	A38, A13, A11	N/A
Chrysler	Voyager	2000	Furgón	Inferior	Frente	A33, A29 o A22 y A14	A37 o A22 y A13, A39	N/A
Dodge	Avenger	2008-2014	Automóvil	Inferior	Frente	B23, A36, A16	A37, B26, A16	N/A
Dodge	Caliber FWD/AWD	2007-2012	Automóvil	Inferior	Frente	A33, A29	A29, A32	N/A
Dodge	Caravan	1991-2000	Furgón	Inferior	Frente	A33, A29	A37, (o A22 y A13), A39	N/A
Dodge	Caravan	2001-2007	Furgón	Inferior	Frente	A33, A29	A22, A13, A39	N/A
Dodge	Challenger	2008-2017	Automóvil	Inferior	Frente	B17, B16, A3	A7, A38	N/A
Dodge	Charger	2005-2016	Automóvil	Inferior	Frente	B17, B16, A3	A7, A38	N/A
Dodge	Colt	1984-1994	Automóvil	Inferior	Frente	A33, A29	A7	N/A
Dodge	Dakota 2WD	1987-1996	Camión	Inferior	Frente	B29, B19 y A14	A13 y A21, B27 o A38	N/A
Dodge	Dakota 2WD/4WD	2005-2011	Camión	Inferior	Frente	B12	A38, A28	N/A
Dodge	Dakota 4WD	1987-1996	Camión	Inferior	Frente	A13 y A9, A14 y A21	A28, A38 y B2, A16	N/A
Dodge	Dakota 4WD	1997-2004	Camión	Inferior	Frente	A13 y A21 o A28	A7, B33 y A14	N/A
Dodge	Durango 2WD/4WD	2004-2009	SUV	Inferior	Frente	B4, A16	A13 y A21 o A28, B33	N/A
Dodge	Durango 4WD	1998-2003	SUV	Inferior	Frente	A13 y A21 o A28	A7, B33 y A14	N/A
Dodge	Grand Caravan	1991-2007	Furgón	Inferior	Frente	A33, A29 o A22 y A14	A37 o A22 y A13, A39	N/A
Dodge	Grand Caravan	2001-2007	Furgón	Inferior	Frente	A33, A29	A13 y A22, A39	N/A
Dodge	Grand Caravan	2008-2016	Furgón	Inferior	Frente	A14, A33, A11	A38, A13, A11	N/A
Dodge	Journey	2009-2017	SUV	Inferior	Frente	B23, A36	A37, B26	N/A
Dodge	Magnum RWD	2005-2008	Automóvil	Inferior	Frente	B17, B16, A3	A7, A38	N/A
Dodge	Neon	1995-1999	Automóvil	Inferior	Frente	A32, A7, A16	A27, A39, A16	N/A
Dodge	Neon	2000-2005	Automóvil	Inferior	Frente	A32, B9, A16	A29, A39, A16	N/A
Dodge	Nitro 2WD/4WD	2007-2011	SUV	Inferior	Frente	B4	A38, A28	N/A
Dodge	Ram 1500 w/rack & pinion steering	2006-2008, 2012	Camión	Superior	Frente	A21 (o B11), A14, A32	A38 (o B27), B5	N/A
Dodge	Ram 1500 2WD	1994-1996	Camión	Inferior	Frente	A20 y A13	A14 y B33, A7	N/A
Dodge	Ram 1500 2WD	1994-1999	Camión	Superior	Frente	A13 y B21, A26, A16	B27 o A38, A36, A16	N/A
Dodge	Ram 1500 2WD	1997-1999	Camión	Inferior	Frente	A20 y A13	A14 y B33, A13 y A21	N/A
Dodge	Ram 1500 2WD/4WD	2002-2012	Camión	Inferior	Frente	B4	A38, A21	N/A
Dodge	Ram 1500 4WD	1994-1999	Camión	Inferior	Frente	A33, A35 o A37	A29, B28	N/A
Dodge	Ram 1500 4WD	1994-2001	Camión	Superior	Frente	A35, A33	A29, B28	N/A
Dodge	Ram 1500 4WD w/216 FBI Axle	2000-2001	Camión	Inferior	Frente	A33, A35 o A37	A29, B28	N/A
Dodge	Ram 1500 4WD w/216 FBI Axle	2000-2001	Camión	Superior	Frente	A35, A33	A29, B28	N/A
Dodge	Ram 1500 4WD w/248 FBI Axle	2000-2001	Camión	Inferior	Frente	A33, A35 o A37	A29, B28	N/A
Dodge	Ram 1500 4WD w/248 FBI Axle	2000-2001	Camión	Superior	Frente	A35, A33	A29, B28	N/A
Dodge	Ram 1500 Mega Cap	2006-2008	Camión	Inferior	Frente	A23	A21 y A13 (o A28), A38	N/A

Marca	Modelo	Año	Tipo	Posición	Ubicación	Herramientas de desmontaje	Herramientas de instalación	Comentarios
Dodge	Ram 1500 Mega Cap w/rack & pinion steering	2006-2008	Camión	Inferior	Frente	A33, B1	A38, B5	N/A
Dodge	Ram 1500 Mega Cap w/rack & pinion steering	2006-2008	Camión	Superior	Frente	A21 (o B11), A14, A32	A38 (o B27), B5	N/A
Dodge	Ram 1500 Mega Cab Light Duty	2006-2008	Camión	Inferior	Frente	B4	A21, A38, A13	N/A
Dodge	Ram 1500 Mega Cab 2WD/4WD w/ conventional steering	2006-2008	Camión	Superior	Frente	B30, B15	A14 (a veces con B5), A39 (o A38), B5	N/A
Dodge	Ram 2500	2003-2013	Camión	Inferior	Frente	A23	A21 y A13 (o A28), A38	N/A
Dodge	Ram 2500 w/rack & pinion steering	2003-2013	Camión	Inferior	Frente	A33, B1	A38, B5	N/A
Dodge	Ram 2500 w/rack & pinion steering	2006-2013	Camión	Superior	Frente	A21 (o B11), A14, A32	A38 (o B27), B5	N/A
Dodge	Ram 2500 2WD	1994-1999	Camión	Inferior	Frente	A20 y A13	A14 y B33, A7	N/A
Dodge	Ram 2500 2WD	1994-1999	Camión	Superior	Frente	A13 y B21, A26, A16	B27 o A38, A36, A16	N/A
Dodge	Ram 2500 4WD w/Dana 44 Axle	1994-1999	Camión	Superior	Frente	A35, A33	A29, B28	Eje para 3500/3850 pounds
Dodge	Ram 2500 4WD w/Dana 44 Axle	1996-1999	Camión	Inferior	Frente	A33, A35 o A37	A29, B28	Eje para 3500/3850 pounds
Dodge	Ram 2500 4WD w/Dana 60	1994-1999	Camión	Inferior	Frente	A13 y B11	A7, A38 o B33 y A14	Eje para 4500 pounds
Dodge	Ram 2500 4WD w/Dana 60	1994-1999	Camión	Superior	Frente	A21 o A13 y B11	A13 y A22, A38	Eje para 4500 pounds
Dodge	Ram 2500 Mega Cab w/conventional steering	2006-2010	Camión	Inferior	Frente	A33, B1	A38, B5	N/A
Dodge	Ram 2500 Mega Cab w/conventional steering	2003-2017	Camión	Superior	Frente	B30, B15	A14, (a veces con B5), A39 (o A38), B5	N/A
Dodge	Ram 3500	2003-2013	Camión	Inferior	Frente	A23	A21 y A13 (o A28), A38	N/A
Dodge	Ram 3500 w/rack & pinion steering	2006-2012	Camión	Inferior	Frente	A33, B1	A38, B5	N/A
Dodge	Ram 3500 w/rack & pinion steering	2006-2012	Camión	Superior	Frente	A21 (o B11), A14, A32	A38 (o B27), B5	N/A
Dodge	Ram 3500 w/conventional steering	2003-2017	Camión	Superior	Frente	B30, B15	A14, (a veces con B5), A39 (o A38), B5	N/A
Dodge	Ram 3500 2WD w/IFS	1994-1999	Camión	Inferior	Frente	A20 y A13	A14 y B33, A7	N/A
Dodge	Ram 3500 2WD w/IFS	1994-1999	Camión	Superior	Frente	A13 y B21, A26, A16	B27 o A38, A36, A16	N/A
Dodge	Ram 3500 4WD	1996-1999	Camión	Inferior	Frente	A13 y B11	A7, A38 o B33 y A14	N/A
Dodge	Ram 3500 4WD	1996-1999	Camión	Superior	Frente	A21 o A13 y B11	A13 y A22, A38	N/A
Dodge	Ram 3500 4WD w/Solid Front Axle	1994-1999	Camión	Inferior	Frente	A13 y B11	A7, A38 o B33 y A14	N/A
Dodge	Ram 3500 4WD w/Solid Front Axle	1994-1999	Camión	Superior	Frente	A21 o A13 y B11	A13 y A22, A38	N/A
Dodge	Ram 3500 Mega Cab w/conventional steering	2006-2010	Camión	Superior	Frente	B30, B15	A14 (a veces con B5), A39 (o A38), B5	N/A
Dodge	Ram 3500 HD w/conventional steering	2006-2017	Camión	Superior	Frente	B30, B15	A14 (a veces con B5), A39 (o A38), B5	N/A
Dodge	Ram Van 1500/2500	1995-2003	Furgón	Inferior	Frente	B29, B19 y A14	A13 y A21, B27 o A38	N/A
Dodge	Ram Van 3500 w/3600 Lb. Axle	1995-2003	Furgón	Inferior	Frente	B29, B19 y A14	A13 y A21, B27 o A38	N/A
Dodge	Ram Van 3500 w/4000 Lb. Axle	1995-2003	Furgón	Inferior	Frente	A20, A14, B29	A20, A13, A19	N/A

Marca	Modelo	Año	Tipo	Posición	Ubicación	Herramientas de desmontaje	Herramientas de instalación	Comentarios
Dodge	Ram Van B100/150/200/250/300/350 w/standard suspension	1971-1994	Furgón	Inferior	Frente	B19, A14, B29	A21, A13, B27, (o A38)	N/A
Dodge	Ram Van B100/150/200/250/300/350 w/heavy-duty suspension	1972-1994	Furgón	Inferior	Frente	A20, A14, B29	A20, A13, A19	N/A
Dodge	Ram CV (Cargo Van)	2012-2015	Furgón	Inferior	Frente	A14, A33, A11	A38, A11, A13	N/A
Dodge	Sprinter 2500/3500	2003-2006	Furgón	Inferior	Frente	B19 y A13	A38, A21 y A13 o A28	N/A
Dodge	Ram SRT-4	2003-2005	Camión	Inferior	Frente	B6, B9	A29, A39	N/A
Dodge	Stratus	1995-2000	Automóvil	Superior	Posterior	A7, A32, A16	A37, A39, A16	N/A
Dodge	Stratus	1995-2008	Automóvil	Superior	Frente	A7, A32, A16	A37, A39, A16	N/A
Dodge	Stratus Coupe	2001-2005	Automóvil	Inferior	Frente	A6, A7, A16	A27, A9 y A13, A16	N/A
Dodge	Stratus Sedan	2001-2006	Automóvil	Superior	Posterior	A7, B6	A37, A39	N/A
Dodge	SX 2.0	2003-2005	Automóvil	Inferior	Frente	B6, B9	A29, A39	N/A
Eagle	2000 GTX	1991-1993	Automóvil	Inferior	Frente	A33, A29	A7	Solo Canadá
Eagle	Summit	1991-1996	Automóvil	Inferior	Frente	A33, A29	A7	N/A
Eagle	Talon	1990-1994	Automóvil	Inferior	Frente	A33, A29	A7	N/A
Ford	Aerostar 2WD	1986-1997	Furgón	Inferior	Frente	A32, A20 y A14	A13 y A21 o A28, B27	N/A
Ford	Aerostar 4WD	1986-1997	Furgón	Inferior	Frente	A13 y A21 o A28	A38, A13 y A22	N/A
Ford	Bronco	1980-1996	SUV	Inferior	Frente	A7	A37, A38	N/A
Ford	Bronco	1980-1996	SUV	Superior	Frente	A7	A37 o A13 y A22, A38	N/A
Ford	Bronco II 4WD w/Dana 28 Axle	1984-1990	SUV	Inferior	Frente	A13 y A21	A13 y A22, A38 o B33	c/espárrago roscado
Ford	Bronco II 4WD w/Dana 28 Axle	1984-1990	SUV	Superior	Frente	A13 y A21	A13 y A22, A38 o B33	c/espárrago roscado
Ford	Bronco II 4WD w/Dana 35 Axle	1990	SUV	Superior	Frente	A13 y A21	A13 y A22, A38 o B33	Utiliza perno de fijación
Ford	Bronco II 4WD w/Dana 35 Axle	1990	SUV	Inferior	Frente	A13 y A21	A13 y A22, A38 o B33	Utiliza perno de fijación
Ford	Bronco R	1980-1996	SUV	Inferior	Frente	A7	A37, A38	N/A
Ford	Crown Victoria	2003-2006	Automóvil	Superior	Frente	A24, A30, A16	A9 y A13, B7, A16	N/A
Ford	Crown Victoria	1995-2002	Automóvil	Inferior	Frente	A11 y A14, A32, A16	A35, A38, A16	N/A
Ford	Crown Victoria	2003-2011	Automóvil	Inferior	Frente	A23	A7, A4	N/A
Ford	E-150	1992-2004	Furgón	Inferior	Frente	A28 o A13 y A21	A13 y A22, A38	N/A
Ford	E-150	1992-2006	Furgón	Inferior	Frente	A13 y B19 o A3	A22, A38, A13	N/A
Ford	E-150	1992-2014	Furgón	Superior	Frente	22305, A13	A22, A38, A13	N/A
Ford	E-150	2003-2008	Furgón	Inferior	Frente	A13 y B19 o A3	A13 y A22, A38	N/A
Ford	E-150	2003-2008	Furgón	Superior	Frente	A13 y A21 o A28 o A24	A13 y A22, A38	N/A
Ford	E-150	2007-2014	Furgón	Inferior	Frente	A23 o A20 y A13	A7, A38 o A14 y B33	N/A
Ford	E-250, E350, E450	1992-2017	Furgón	Inferior	Frente	A23 o A20 y A13	A7, A38, o A14, B33	N/A
Ford	E-250, E350, E450	1992-2017	Furgón	Superior	Frente	222503, A13	A22, A38, A13	N/A
Ford	E-250, E350, E450	1996-2004	Furgón	Inferior	Frente	A23	A7, A38 o B33 y A14	N/A
Ford	E-250, E350, E450	1996-2004	Furgón	Superior	Frente	A13 y B11	A13 y A22, A38	N/A

Marca	Modelo	Año	Tipo	Posición	Ubicación	Herramientas de desmontaje	Herramientas de instalación	Comentarios
Ford	E-250, E350, E450	2005-2008	Furgón	Inferior	Frente	A13 y A20 o A23	A7, A38 o B33 y A14	N/A
Ford	E-250, E350, E450	2005-2008	Furgón	Superior	Frente	A13 y A21 o A28 o A24	A13 y A22, A38	N/A
Ford	Escape 2WD/4WD	2001-2012	SUV	Inferior	Frente	A33, A4	A7, A38 y B2	N/A
Ford	Excursion 2WD	2000-2005	SUV	Inferior	Frente	A13 y B11	A7, A38	N/A
Ford	Excursion 2WD	2000-2005	SUV	Superior	Frente	A7	A37 o A13 y A22, A38	N/A
Ford	Excursion 4WD	2000-2005	SUV	Inferior	Frente	A13 y B11	A7, A38	N/A
Ford	Excursion 4WD w/monobeam axle	2000-2005	SUV	Superior	Frente	A7 o A28	A37, A38	N/A
Ford	Expedition 2WD/4WD	1997-2002	SUV	Inferior	Frente	A23 o A20 y A13	A38, A21 y A13 o A24	N/A
Ford	Expedition 2WD/4WD	1997-2002	SUV	Superior	Frente	B30, A30, A16	B27, B5, A16	No se ajusta a los brazos de control OE
Ford	Expedition 2WD/4WD	2003-2006	SUV	Inferior	Frente	A23	A38, A21 y A13 o A28 o A24	N/A
Ford	Explorer 2WD/4WD	1995-2001	SUV	Superior	Frente	B30, A30, A16	B27, B5, A16	No se ajusta a los brazos de control OE
Ford	Explorer 2WD/4WD	1996-2010	SUV	Inferior	Frente	A23 o A20 y A13	A38, A21 y A13 o A24	N/A
Ford	Explorer 2WD/4WD	2002-2005	SUV	Superior	Frente	B30, A33 y A30, A16	A40, A37 y A4, A16	N/A
Ford	Explorer 2WD/4WD	2006-2010	SUV	Superior	Frente	B30, A32 y A30, A16	A13 y A9 o A39, A36, A16	N/A
Ford	Explorer 4WD w/Dana 28 Axle	1991-1994	SUV	Inferior	Frente	A13 y A21	A13 y A22, A38 o B33 y A14	N/A
Ford	Explorer 4WD w/Dana 28 Axle	1991-1994	SUV	Superior	Frente	A13 y A21	A13 y A22, A38 o B33 y A14	c/espárrago roscado
Ford	Explorer 4WD w/Dana 35 Axle	1991-1994	SUV	Inferior	Frente	A13 y A21	A13 y A22, A38 o B33 y A14	Utiliza un perno de fijación fabricado a 1-10-93
Ford	Explorer 4WD w/Dana 35 Axle	1991-1994	SUV	Superior	Frente	A13 y A21	A13 y A22, A38 o B33 y A14	Utiliza un perno de fijación fabricado a 1-10-93
Ford	Explorer 4WD w/Dana 35 Axle	1993-1994	SUV	Inferior	Frente	A13 y A21	A13 y A22, A38 o B33 y A14	Fabricado de 1-11-93
Ford	Explorer 4WD w/Dana 35 Axle	1993-1994	SUV	Superior	Frente	A13 y A21	A13 y A22, A38 o B33 y A14	Utiliza un perno de fijación fabricado a 1-11-93
Ford	Explorer Sport Trac 2WD/4WD	2004-2005	Camión	Inferior	Frente	A23 o A20 y A13	A38, A21 y A13 o A24	N/A
Ford	Explorer Sport Trac 2WD/4WD	2004-2005	Camión	Superior	Frente	B30, A30, A16	B27, B5, A16	No se ajusta a los brazos de control OE
Ford	Explorer Sport Trac 2WD/4WD	2007-2008	Camión	Superior	Frente	B30, A32 y A30, A16	A13 y A9 o A39, A36, A16	N/A
Ford	Explorer Sport/Sport Trac 2WD/4WD	2001-2005	SUV	Superior	Frente	A23 o A13 y A20	A38, A24 o A21 y A13	Reemplazar el conjunto del brazo de control. No se ajusta a los brazos de control OE
Ford	Explorer Sport/Sport Trac 2WD/4WD	2001-2010	SUV	Inferior	Frente	A23 o A20 y A13	A38, A21 y A13 o A24	N/A
Ford	F-150 2WD	1987-1996	Camión	Inferior	Frente	A13 y A21	A13 y A22, A38	N/A
Ford	F-150 2WD	1987-1996	Camión	Superior	Frente	A7	A13 y A22, A38	Husillo
Ford	F-150 2WD/4WD	1997-2003	Camión	Inferior	Frente	A23 o A20 y A13	A38, A21 y A13 o A24	N/A
Ford	F-150 2WD/4WD	1997-2004	Camión	Superior	Frente	B30, A30, A16	B27, B5, A16	No se ajusta a los brazos de control OE
Ford	F-150 2WD/4WD	2004-2012	Camión	Inferior	Frente	A23	A38, A21 y A13 o A28	N/A

Marca	Modelo	Año	Tipo	Posición	Ubicación	Herramientas de desmontaje	Herramientas de instalación	Comentarios
Ford	F-150 2WD/4WD (HD)	2008	Camión	Inferior	Frente	A7	A37, A38	Reemplazar el conjunto del brazo de control
Ford	F-150 4WD	1980-1996	Camión	Inferior	Frente	A7	A37, A38	N/A
Ford	F-150 4WD	1980-1996	Camión	Superior	Frente	A7	A37 o A13 y A22, A38	N/A
Ford	F-150 Heritage & Lightning	2004	Camión	Inferior	Frente	A23 o A20 y A13	A38, A21 y A13 o A24	N/A
Ford	F-150 Heritage & Lightning	2004	Camión	Superior	Frente	B30, A30, A16	B27, B5, A16	No se ajusta a los brazos de control OE
Ford	F-250 2WD	1987-1996	Camión	Inferior	Frente	A13 y A21	A7, A38 o B33 y A14	Husillo
Ford	F-250 2WD	1987-1996	Camión	Superior	Frente	A7	A13 y A22, A38	Husillo
Ford	F-250 2WD HD w/Twin I-Beam	1997	Camión	Inferior	Frente	A13 y A21	A7, A38 o B33 y A14	Husillo
Ford	F-250 2WD HD w/Twin I-Beam	1997	Camión	Superior	Frente	A7	A13 y A22, A38	Husillo
Ford	F-250 4WD (Under 8500 Lb. GVW)	1997-1999	Camión	Inferior	Frente	A23 o A20 y A13	A38, A21 y A13 o A24	N/A
Ford	F-250 4WD (Under 8500 Lb. GVW)	1997-1999	Camión	Superior	Frente	B30, A30, A16	B27, B5, A16	No se ajusta a los brazos de control OE
Ford	F-250 4WD w/3850 Lb. Axle	1980-1996	Camión	Inferior	Frente	A7	A37, A38	Excepto relación 4.10
Ford	F-250 4WD w/4600 Lb. Axle	1980-1996	Camión	Inferior	Frente	A13 y B11 o A28	A7, A38	N/A
Ford	F-250 4WD w/Twin I-Beam Axle	1980-1996	Camión	Superior	Frente	A7	A37 o A13 y A22, A38	N/A
Ford	F-250 HD 4WD w/4600 Lb. Axle and w/Twin I-Beam Axle	1997	Camión	Inferior	Frente	A13 y B11 o A28	A7, A38	N/A
Ford	F-250 HD 4WD w/4600 Lb. Axle and w/Twin I-Beam Axle	1997	Camión	Superior	Frente	A7	A37 o A13 y A22, A38	N/A
Ford	F-250 Super Duty	1999-2015	Camión	Superior	Frente	A7 o A28	A37 o A13 y A22, A38	N/A
Ford	F-250 Super Duty 2WD w/Twin I-Beam Axle	1997-2015	Camión	Inferior	Frente	B11, A13	A7, A38	N/A
Ford	F-250 Super Duty 2WD w/Twin I-Beam Axle	1999-2015	Camión	Superior	Frente	A7	A37 o A13 y A22, A38	N/A
Ford	F-250 Super Duty 2WD/4WD	1999-2008	Camión	Inferior	Frente	A13 y B11	A7, A38	Eje monobeam
Ford	F-250 Super Duty 2WD/4WD	1999-2008	Camión	Superior	Frente	A7 o A28	A37, A38	Eje monobeam
Ford	F-250 Super Duty 2WD/4WD w/ monobeam axle	1999-2017	Camión	Inferior	Frente	B11, A13	A7, A38	N/A
Ford	F-250 Super Duty 2WD/4WD w/ monobeam axle	1999-2017	Camión	Superior	Frente	A7 o A28	A37 o A13 y A22, A38	N/A
Ford	F-350	1992-1997	Camión	Superior	Frente	A7 o A28	A37 o A13 y A22, A38	N/A
Ford	F-350 2WD	1987-1997	Camión	Inferior	Frente	A21, A13	A7, A38 o B33 y A14	N/A
Ford	F-350 2WD	1987-1997	Camión	Inferior	Frente	A13 y A21	A7, A38 o B33 y A14	Husillo
Ford	F-350 2WD	1987-1997	Camión	Superior	Frente	A7	A13 y A22, A38	Husillo
Ford	F-350 4WD	1992-1997	Camión	Inferior	Frente	A13 y B11	A7, A38	Eje monobeam
Ford	F-350 4WD	1992-1997	Camión	Superior	Frente	A7 o A28	A37, A38	Eje monobeam
Ford	F-350 4WD w/monobeam axle	1992-1997	Camión	Inferior	Frente	B11, A13	A7, A38	N/A

Marca	Modelo	Año	Tipo	Posición	Ubicación	Herramientas de desmontaje	Herramientas de instalación	Comentarios
Ford	F-350 4WD w/monobeam axle	1992-1997	Camión	Superior	Frente	A7 o A28	A37 o A13 y A22, A38	N/A
Ford	F-350 Super Duty 2WD w/Twin I-Beam Axle	1999-2014	Camión	Inferior	Frente	A21, A13	A7, A38	N/A
Ford	F-350 Super Duty 2WD w/Twin I-Beam Axle	1999-2014	Camión	Superior	Frente	A7	A37 o A13 y A22, A38	N/A
Ford	F-350 Super Duty 2WD/4WD	1999-2008	Camión	Inferior	Frente	A13 y B11	A7, A38	Eje monobeam
Ford	F-350 Super Duty 2WD/4WD	1999-2008	Camión	Superior	Frente	A7 o A28	A37, A38	Eje monobeam
Ford	F-350 Super Duty 2WD/4WD w/ monobeam axle	1999-2017	Camión	Inferior	Frente	A21, A13	A7, A38	N/A
Ford	F-350 Super Duty 2WD/4WD w/ monobeam axle	1999-2017	Camión	Superior	Frente	A7 o A28	A37 o A13 y A22, A38	N/A
Ford	F-450 Super Duty	1997-2004, 2011-2017	Camión	Superior	Frente	A7 o A28	A37 o A13 y A22, A38	N/A
Ford	F-450 Super Duty 2WD/4WD	1999-2008	Camión	Inferior	Frente	A13 y B11	A7, A38	Eje monobeam
Ford	F-450 Super Duty 2WD/4WD	1999-2008	Camión	Superior	Frente	A7 o A28	A37, A38	Eje monobeam
Ford	F-450 Super Duty 2WD/4WD	2005-2008	Camión	Inferior	Frente	A18, A17, A16	A17, B19, A15, A16	N/A
Ford	F-450 Super Duty 2WD/4WD	2005-2008	Camión	Superior	Frente	A13 y B19, A16	A7, B33, A14, A16	N/A
Ford	F-450 Super Duty 2WD/4WD w/ monobeam axle	2011-2017	Camión	Inferior	Frente	B11, A13	A7, A38	N/A
Ford	F-450 Super Duty 2WD/4WD w/ monobeam axle	2011-2017	Camión	Superior	Frente	A7 o A28	A37 o A13 y A22, A38	N/A
Ford	F-550 Super Duty	1999-2004	Camión	Superior	Frente	A7 o A28	A37 o A13 y A22, A38	N/A
Ford	F-550 Super Duty 2WD/4WD	1999-2008	Camión	Inferior	Frente	A13 y B11	A7, A38	Eje monobeam
Ford	F-550 Super Duty 2WD/4WD	1999-2008	Camión	Superior	Frente	A7 o A28	A37, A38	Eje monobeam
Ford	F-550 Super Duty 2WD/4WD	2005-2008	Camión	Inferior	Frente	A18, A17, A16	A17, B19, A15, A16	N/A
Ford	F-550 Super Duty 2WD/4WD	2005-2008	Camión	Superior	Frente	A13 y B19, A16	A7, B33, A14, A16	N/A
Ford	F-550 Super Duty 2WD/4WD w/ monobeam axle	1999-2017	Camión	Inferior	Frente	B11, A13	A7, A38	N/A
Ford	F-550 Super Duty 2WD/4WD w/ monobeam axle	1999-2017	Camión	Superior	Frente	A7 o A28	A37 o A13 y A22, A38	N/A
Ford	Fusion	2006-2012	Automóvil	Superior	Frente	A22 y A13, A32	A37, A32	N/A
Ford	Mustang	1994-2004	Automóvil	Inferior	Frente	A28, A26	A35, A38	N/A
Ford	Mustang	2005-2008	Automóvil	Inferior	Frente	A33, A21 y A14	A7, A39	N/A
Ford	Probe	1989-1997	Automóvil	Inferior	Frente	A31, A7	A7, A38	N/A
Ford	Ranger 2WD	1989-1997	Camión	Inferior	Frente	A13 y A21	A13 y A22, A38	N/A
Ford	Ranger 2WD	1989-1997	Camión	Superior	Frente	A13 y A21	A37, A38	N/A
Ford	Ranger 2WD w/Coil Spring Suspension	1998-2007	Camión	Superior	Frente	A7, B6, A16	A38 y B2, A37, A16	No se ajusta a los brazos de control OE
Ford	Ranger 2WD w/Coil Spring Suspension	1998-2011	Camión	Inferior	Frente	A23	A38, A21 y A13 o A28	N/A

Marca	Modelo	Año	Tipo	Posición	Ubicación	Herramientas de desmontaje	Herramientas de instalación	Comentarios
Ford	Ranger 2WD/4WD w/Torsion Bar Suspension	1998-2010	Camión	Superior	Frente	B30, A30, A16	B27, B5, A16	No se ajusta a los brazos de control OE
Ford	Ranger 2WD/4WD w/Torsion Bar Suspension	1998-2011	Camión	Inferior	Frente	A23 o A20 y A13	A38, A21 y A13 o A24	N/A
Ford	Ranger 4WD	1989-1997	Camión	Superior	Frente	A21, A13	A37, A38	N/A
Ford	Ranger 4WD w/Dana	1990-1997	Camión	Inferior	Frente	A13 y A21	A13 y A22, A38 o B33 y A14	N/A
Ford	Ranger 4WD w/Dana	1990-1997	Camión	Superior	Frente	A13 y A21	A13 y A22, A38 o B33 y A14	N/A
Ford	Ranger 4WD w/Dana 28/35 Axle	1983-1997	Camión	Superior	Frente	A13 y A21	A13 y A22, A38	N/A
Ford	Ranger 4WD w/Dana 28/35 Axle	1983-1997	Camión	Inferior	Frente	A13 y A21	A13 y A22, A38 o B33 y A14	N/A
Ford	Taurus	1996-2007	Automóvil	Inferior	Frente	B32, B22	B13, A40	N/A
Ford	Thunderbird	1989-1997	Automóvil	Inferior	Frente	A28, A30, A16	A28, A19, A16	N/A
Freightliner	Freightliner 2500/3500	2002-2006	Furgón	Inferior	Frente	B19 y A13	A21, A13, A38 (o A28)	N/A
GMC	1500 2WD	1991-1992	Camión	Inferior	Frente	A13 y A21, A20 y A14	A13 y A20, A19, A16	N/A
GMC	1500 2WD	1998-1999	Camión	Inferior	Frente	B29, A20, A14A16	A13 y A20, A19, A16	N/A
GMC	1500 4WD	1996-1999	Camión	Inferior	Frente	A18 y A13	A14 y A21, A28	N/A
GMC	2500 2WD w/7200 Lb. GVW	1991-1992	Camión	Inferior	Frente	A13 y A21, A20 y A14, A16	A13 y A20, A19, A16	N/A
GMC	2500 2WD w/7200 Lb. GVW	1993-2000	Camión	Inferior	Frente	B29, A20, A14, A16	A13 y A20, A19, A16	N/A
GMC	2500 2WD w/8600 Lb. GVW	1991-1992	Camión	Inferior	Frente	A13 y A21, A20 y A14, A16	A13 y A20, A19, A16	N/A
GMC	2500 2WD w/8600 Lb. GVW	1993-2000	Camión	Inferior	Frente	B29, A20, A14, A16	A13 y A20, A19, A16	N/A
GMC	2500 4WD	1996-2000	Camión	Inferior	Frente	A18 y A13	A14 y A21, A28	N/A
GMC	3500 2WD w/IFS	1998-2000	Camión	Inferior	Frente	A18 y A13	A21, A28, A14	N/A
GMC	3500 2WD w/IFS; 5th digit of VIN is C	1991-1992	Camión	Inferior	Frente	A13 y A21, A20 y A14, A16	A13 y A20, A19, A16	N/A
GMC	3500 4WD	1996-2000	Camión	Inferior	Frente	A18 y A13	A14 y A21, A28	N/A
GMC	3500 Motor Home w/IFS	1973-1997	Furgón	Inferior	Frente	B29, A20, A14, A16	A13 y A20, A19, A16	N/A
GMC	3500 Step Van w/IFS	1973-1997	Furgón	Inferior	Frente	B29, A20, A14, A16	A13 y A20, A19, A16	N/A
GMC	Envoy 2WD/4WD	2002-2009	SUV	Inferior	Frente	A18 y A13	A7, A38	N/A
GMC	Envoy 2WD/4WD	2002-2009	SUV	Superior	Frente	A7, B20, A16	A33, A29, A16	N/A
GMC	G1500	1971-1995	Furgón	Inferior	Frente	B29, A20, A14, A16	A13 y A20, A19, A16	N/A
GMC	G2500	1973-1995	Furgón	Inferior	Frente	B29, A20, A14, A16	A13 y A20, A19, A16	N/A
GMC	G3500	1973-1996	Furgón	Inferior	Frente	A13 y A20, A19, A16	A13 y A20, A19, A16	N/A
GMC	Jimmy 2WD	1982-2002	SUV	Inferior	Frente	A32, A20, A14, A16	A11 y A13, A19, A16	N/A
GMC	S-15 Sonoma 2WD	1982-2003	Camión	Inferior	Frente	A32, A20, A14, A16	A11 y A13, A19, A16	N/A
GMC	Safari 2WD	1985-2005	Furgón	Inferior	Frente	A32, A20 y A14	A28, A21 o B33 y A14	N/A
GMC	Savana 1500	1996-2002	Furgón	Inferior	Frente	B29, A20, A14, A16	A13 y A20, A19, A16	N/A
GMC	Savana 1500	2003-2014	Furgón	Inferior	Frente	A13 y A11	A38 o A14 y B33, A28 o A21 y A13	N/A

Marca	Modelo	Año	Tipo	Posición	Ubicación	Herramientas de desmontaje	Herramientas de instalación	Comentarios
GMC	Savana 1500	2003-2014	Furgón	Superior	Frente	A28, B6, A16	B27, A37 y A4, A16	N/A
GMC	Savana 2500	1996-2002	Furgón	Inferior	Frente	B29, A20, A14, A16	A13 y A20, A19, A16	N/A
GMC	Savana 2500 w/7300 Lb. GVW	2003-2008	Furgón	Inferior	Frente	A13 y A11	A38 o A14 y B33, A28 o A21 y A13	N/A
GMC	Savana 2500 w/7300 Lb. GVW	2003-2008	Furgón	Superior	Frente	A28, B6, A16	B27, A37 y A4, A16	N/A
GMC	Savana 2500 w/8500 Lb. & 8600 Lb. GVW	2003-2016	Furgón	Inferior	Frente	A23	A38, A21 y A13 o A28	N/A
GMC	Savana 2500 w/8500 Lb. GVW	2003-2017	Furgón	Superior	Frente	B30, A32 y B20, A16	A39, A37, A16	N/A
GMC	Savana 3500	1996-2002	Furgón	Inferior	Frente	B29, A20, A14, A16	A13 y A20, A19, A16	N/A
GMC	Savana 3500	2003-2016	Furgón	Inferior	Frente	A23	A38, A21 y A13 o A28	N/A
GMC	Savana 3500	2003-2017	Furgón	Superior	Frente	B30, A32 y B20, A16	A39, A37, A16	N/A
GMC	Sierra 1500 2WD/4WD	1999-2007	Camión	Superior	Frente	A28, B6, A16	B27, A37 y A4, A16	N/A
GMC	Sierra 1500 4WD	1999-2016	Camión	Inferior	Frente	A13 y A11	A38 o A14 y B33, A28	N/A
GMC	Sierra 1500 HD 2WD/4WD	2000-2007	Camión	Inferior	Frente	A18 y A13	A38, A28 o A21 y A13	N/A
GMC	Sierra 1500 HD 2WD/4WD	2000-2007	Camión	Superior	Frente	B30, B15, A16	A39, B5, A16	N/A
GMC	Sierra 2500 2WD	1999-2004	Camión	Superior	Frente	B30, A32 y B20, A16	A39, A37, A16	N/A
GMC	Sierra 2500 2WD/4WD	2001-2008	Camión	Superior	Frente	B30, B15, A16	A39, B5, A16	N/A
GMC	Sierra 2500 2WD/4WD	2001-2017	Camión	Inferior	Frente	A18 y A13	A38, A28 o A21 y A13	N/A
GMC	Sierra 2500 4WD	1999-2000	Camión	Inferior	Frente	A18 y A13	A38, A28 o A21 y A13	N/A
GMC	Sierra 2500 HD 2WD/4WD	2001-2008	Camión	Inferior	Frente	A18 y A13	A38, A28 o A21 y A13	N/A
GMC	Sierra 2500 HD 2WD/4WD	2001-2008	Camión	Superior	Frente	B30, B15, A16	A39, B5, A16	N/A
GMC	Sierra 3500 2WD/4WD	2001-2008	Camión	Inferior	Frente	A18 y A13	A38, A28 o A21 y A13	N/A
GMC	Sierra 3500 2WD/4WD	2001-2008	Camión	Superior	Frente	B30, B15, A16	A39, B5, A16	N/A
GMC	Sierra Denali	2002-2007	Camión	Superior	Frente	A28, B6, A16	B27, A37 y A4, A16	N/A
GMC	Sierra Denali	2002-2010	Camión	Inferior	Frente	A13 y A11	A38 o A14 y B33, A28 o A21 y A13	N/A
GMC	Suburban 1500 2WD	1992	SUV	Inferior	Frente	A13 y A21, A20 y A14, A16	A13 y A20, A19, A16	N/A
GMC	Suburban 1500 2WD	1993-1999	SUV	Inferior	Frente	B29, A20, A14, A16	A13 y A20, A19, A16	N/A
GMC	Suburban 1500 4WD	1996-1999	SUV	Inferior	Frente	A18 y A13	A14 y A21, A28	N/A
GMC	Suburban 2500 2WD	1992	SUV	Inferior	Frente	A13 y A21, A20 y A14, A16	A13 y A20, A19, A16	N/A
GMC	Suburban 2500 2WD	1993-1999	SUV	Inferior	Frente	B29, A20, A14, A16	A13 y A20, A19, A16	N/A
GMC	Suburban 2500 4WD	1996-1999	SUV	Inferior	Frente	A18 y A13	A14 y A21, A28	N/A
GMC	Yukon	2001-2007	SUV	Superior	Frente	A28, B6	A37, A4, B27	N/A
GMC	Yukon	2001-2007	Camión	Superior	Frente	A28, B6, A16	B27, A37 y A4, A16	N/A
GMC	Yukon	2001-2017	SUV	Inferior	Frente	A13 y A11	A38 o A14 y B33, A28	N/A
GMC	Yukon 2WD	1995-1999	SUV	Inferior	Frente	B29, A20, A14, A16	A13 y A20, A19, A16	N/A
GMC	Yukon 2WD w/5.7L	2000	SUV	Inferior	Frente	B29, A20, A14, A16	A13 y A20, A19, A16	N/A

Marca	Modelo	Año	Tipo	Posición	Ubicación	Herramientas de desmontaje	Herramientas de instalación	Comentarios
GMC	Yukon 4WD	1996-1999	SUV	Inferior	Frente	A18 y A13	A14 y A21, A28	N/A
GMC	Yukon 4WD w/5.7L	2000	SUV	Inferior	Frente	A18 y A13	A14 y A21, A28	N/A
GMC	Yukon Denali	1999-2000	SUV	Superior	Frente	A28, B6, A16	B27, A37 y A4, A16	N/A
GMC	Yukon Denali	1999-2004	SUV	Inferior	Frente	A13 y A11	A38 o A14 y B33, A28	N/A
GMC	Yukon Denali & Denali XL	2001-2005	SUV	Superior	Frente	A28, B6, A16	B27, A37 y A4, A16	N/A
GMC	Yukon Denali & Denali XL	2001-2006	SUV	Inferior	Frente	A13 y A11	A38 o A14 y B33, A28	N/A
GMC	Yukon Exc 5.7L	2000	SUV	Inferior	Frente	A13 y A11	A38 o A14 y B33, A28	N/A
GMC	Yukon Exc 5.7L	2000	SUV	Superior	Frente	A28, B6, A16	B27, A37 y A4, A16	N/A
GMC	Yukon XL 1500	2000-2007	SUV	Inferior	Frente	A13 y A11	A38 o A14 y B33, A28	N/A
GMC	Yukon XL 1500	2000-2007	SUV	Superior	Frente	A28, B6, A16	B27, A37 y A4, A16	N/A
GMC	Yukon XL 2500	2000	SUV	Inferior	Frente	A18 y A13	A38, A28 o A21 y A13	N/A
GMC	Yukon XL 2500	2000	SUV	Superior	Frente	B30, A32 y B20, A16	A39, A37, A16	N/A
GMC	Yukon XL 2500	2000-2008	SUV	Superior	Frente	B30, B15, A16	A39, B5, A16	N/A
Honda	Accord	1990-1997	Automóvil	Inferior	Frente	A5, A31, A16	A41, A27 o A37, A16	Rótula en el husillo en vez del brazo de control
Honda	Accord	1994-1997	Automóvil	Superior	Frente	A22 y A13, A10, A16	A37, A39, A16	N/A
Honda	Accord Hybrid	2005-2006	Automóvil	Inferior	Frente	A12, A6, A16	A27, A40, A16	N/A
Honda	Accord Hybrid	2005-2006	Automóvil	Superior	Frente	A22 y A13, A10, A16	A37, A39, A16	N/A
Honda	Accord Sedan & Coupe	1998-2002	Automóvil	Inferior	Frente	A5, A31, A16	A41, A27 o A37, A16	Rótula en el husillo en vez del brazo de control
Honda	Accord Sedan & Coupe	1998-2008	Automóvil	Superior	Frente	A22 y A13, A10, A16	A37, A39, A16	N/A
Honda	Accord Sedan & Coupe	2003-2007	Automóvil	Inferior	Frente	A12, A6, A16	A27, A40, A16	N/A
Honda	Civic	1992-2000	Automóvil	Inferior	Frente	A6, A8, A16	A41, A27, A16	N/A
Honda	Civic	1992-2000	Automóvil	Superior	Frente	A22 y A13, A10, A16	A37, A32, A16	N/A
Honda	Civic del Sol	1993-1997	Automóvil	Inferior	Frente	A6, A8, A16	A41, A27, A16	N/A
Honda	Civic del Sol	1993-1997	Automóvil	Superior	Frente	A22 y A13, A10, A16	A37, A32, A16	N/A
Honda	Civic Hatchback	2002-2005	Automóvil	Inferior	Frente	A12, A32, A16	A27, A40, A16	Rótula en el husillo en vez del brazo de control
Honda	Civic Hybrid Hatchback	2002-2005	Automóvil	Inferior	Frente	A12, A32, A16	A27, A40, A16	Rótula en el husillo en vez del brazo de control
Honda	Civic Hybrid Sedan & Coupe	2003-2005	Automóvil	Inferior	Frente	A12, A32, A16	A39, A27, A16	Rótula en el husillo en vez del brazo de control
Honda	Civic Sedan & Coupe	2001-2005	Automóvil	Inferior	Frente	A12, A32, A16	A39, A27, A16	Rótula en el husillo en vez del brazo de control
Honda	CR-V	1997-2001	SUV	Inferior	Frente	A6, A8, A16	A41, A27, A16	N/A
Honda	CR-V	1997-2001	SUV	Superior	Frente	A6, A8, A16	A27, A41, A16	N/A
Honda	CR-V	2002-2006	SUV	Inferior	Frente	A13 y A25, B6, A16	A41, A37, A16	N/A
Honda	Element	2003-2011	SUV	Inferior	Frente	A5 o A12, B6, A16	A39, A37, A16	N/A

Marca	Modelo	Año	Tipo	Posición	Ubicación	Herramientas de desmontaje	Herramientas de instalación	Comentarios
Honda	Fit	2007-2014	Automóvil	Inferior	Frente	A14, A33	A7, A39	N/A
Honda	Insight	2010-2011	Automóvil	Inferior	Frente	A14, A33	A7, A39	N/A
Honda	Odyssey	1995-1998	Furgón	Inferior	Frente	A5, A31, A16	A41, A27 o A37, A16	N/A
Honda	Odyssey	1995-1998	Furgón	Superior	Frente	A22 y A13, A10, A16	A37, A39, A16	N/A
Honda	Odyssey	1999-2004	Furgón	Inferior	Frente	A33, A29	A13 y A22, A39	N/A
Honda	Pilot	2003-2008	SUV	Inferior	Frente	A33, A4	A7 o A13 y A22, A38 y B2	N/A
Honda	Prelude	1992-1999	Automóvil	Inferior	Frente	A5, A31, A16	A41, A27 o A37, A16	Rótula en el husillo en vez del brazo de control
Hummer	H2	2003-2009	SUV	Inferior	Frente	A18 y A13	A38, A28 o A21 y A13	N/A
Hummer	H2	2003-2009	SUV	Superior	Frente	B30, B15, A16	A39, B5, A16	N/A
Hyundai	Accent	1995-1999, 2012-2016	Automóvil	Inferior	Frente	A33, A4, A16	A37, A39, A16	N/A
Hyundai	Accent	2000-2005	Automóvil	Inferior	Frente	A33, A4	A37, A40	N/A
Hyundai	Elantra	1996-2011, 2013-2016	Automóvil	Inferior	Frente	A33, A4, A16	A37, A39, A16	N/A
Hyundai	Santa Fe	2001-2008	SUV	Inferior	Frente	A33, A4	A29 o A37, A40	N/A
Hyundai	Sonata	1995-1998	Automóvil	Inferior	Frente	A34, A4	A37, A40	N/A
Hyundai	Sonata	1999-2005	Automóvil	Inferior	Frente	A34, A4	A37, A40	N/A
Hyundai	Tiburon	1997-2008	Automóvil	Inferior	Frente	A33, A4, A16	A37, A39, A16	N/A
Infiniti	G20	1991-1996	Automóvil	Inferior	Frente	A33, A29	A37, A32	N/A
Infiniti	I30	1996-1999	Automóvil	Inferior	Frente	A4, A34, A16	A37, A32 y A13, A16	N/A
Infiniti	I30	2000-2001	Automóvil	Inferior	Frente	A4, A34, A16	A37, A9 y A13, A16	N/A
Infiniti	I35	2002-2004	Automóvil	Inferior	Frente	A4, A34, A16	A37, A9 y A13, A16	N/A
Infiniti	QX56	2004-2006	SUV	Superior	Frente	A7, B6, A16	A39, A37, A16	N/A
Isuzu	Ascender 2WD/4WD	2003-2008	SUV	Inferior	Frente	A18 y A13	A7, A38	N/A
Isuzu	Ascender 2WD/4WD	2003-2008	SUV	Superior	Frente	A7, B20, A16	A33, A29, A16	N/A
Isuzu	Hombre 2WD	1996-2000	Camión	Inferior	Frente	A32, A20, A14, A16	A11 y A13, A19, A16	N/A
Isuzu	Oasis	1996-1999	Furgón	Inferior	Frente	A5, A31, A16	A41, A27 o A37, A16	N/A
Jaguar	Vanden Plas	1998-2003	Automóvil	Superior	Frente	A33, A4	A7, A39	N/A
Jaguar	XJ	2003	Automóvil	Superior	Frente	A33, A39	A7, A32	N/A
Jaguar	XJ8	1998-2003	Automóvil	Superior	Frente	A33, A32	A7, B6	N/A
Jaguar	XJR	1998-2005	Automóvil	Superior	Frente	A33, B6	A7, A19	N/A
Jaguar	XKR	2000-2002	Automóvil	Superior	Frente	A33, A4	A7, A39	N/A
Jeep	Cherokee	1984-2001	SUV	Inferior	Frente	A33, A35 o A37	A29, B28	N/A
Jeep	Cherokee	1984-2001	SUV	Superior	Frente	A35, A33	A29, B28	N/A
Jeep	Cherokee (RHD)	1996-1998	SUV	Inferior	Frente	A33, A35 o A37	A29, B28	N/A
Jeep	Cherokee (RHD)	1996-1998	SUV	Superior	Frente	A35, A33	A29, B28	N/A

Marca	Modelo	Año	Tipo	Posición	Ubicación	Herramientas de desmontaje	Herramientas de instalación	Comentarios
Jeep	Commander 2WD/4WD	2006-2007	SUV	Superior	Frente	B30, B15, A16	A39, A36, A16	N/A
Jeep	Commander 2WD/4WD	2006-2010	SUV	Inferior	Frente	B4	A38, A28	N/A
Jeep	Compass 2WD/4WD	2007-2016	SUV	Inferior	Frente	A33, A29	A29, A32	N/A
Jeep	Grand Cherokee	1993-2004	SUV	Inferior	Frente	A33, A35 o A37	A29, B28	N/A
Jeep	Grand Cherokee	1993-2004	SUV	Superior	Frente	A35, A33	A29, B28	N/A
Jeep	Grand Cherokee 2WD/4WD	2005-2010	SUV	Superior	Frente	B30, B15, A16	A39, A36, A16	N/A
Jeep	Grand Cherokee 2WD/4WD	2005-2011	SUV	Inferior	Frente	B4	A38, A28	N/A
Jeep	Grand Wagoneer	1993-1994	SUV	Inferior	Frente	A33, A35 o A37	A29, B28	N/A
Jeep	Liberty 2WD/4WD	2002-2007	SUV	Inferior	Frente	B14, B8, A16	B27, A35, A16	N/A
Jeep	Liberty 2WD/4WD	2008-2009	SUV	Inferior	Frente	B4	A38, A28	N/A
Jeep	Patriot	2007-2016	SUV	Inferior	Frente	A33, A29	A29, A32	N/A
Jeep	TJ	1997-2006	SUV	Inferior	Frente	A35, A33	A29, B28	N/A
Jeep	TJ	1997-2006	SUV	Superior	Frente	A35, A33	A29, B28	N/A
Jeep	Wrangler	1987-2015	SUV	Inferior	Frente	A33, A35 o A37	A29, B28	N/A
Jeep	Wrangler	1987-2015	SUV	Superior	Frente	A35, A33	A29, B28	N/A
Kia	Forte	2014-2015	Automóvil	Inferior	Frente	A33, A4	A37, A39	N/A
Kia	Spectra	2004-2009	Automóvil	Inferior	Frente	A33, A4, A16	A37, A39, A16	N/A
Kia	Spectra 5	2006-2009	Automóvil	Inferior	Frente	A33, A4, A16	A37, A39, A16	N/A
Land Rover	LR3	2005-2009	SUV	Inferior	Frente	B19, A13	A7, A38, A9	N/A
Land Rover	LR3	2005-2010	SUV	Superior	Frente	B19, A14, A33	A7, A38	N/A
Land Rover	LR4	2010-2016	SUV	Inferior	Frente	B19, A13	A7, A38, A9	N/A
Land Rover	Range Rover Sport	2006-2012	SUV	Inferior	Frente	B19, A14	A7, A38, A9	N/A
Lexus	GX460	2010-2017	SUV	Superior	Frente	A14, A33, A11	A21, A38, A13	N/A
Lexus	GX470	2003-2009	SUV	Superior	Frente	A14, A33, A11	A21, A38, A13	N/A
Lexus	LX470	1998-2007	SUV	Inferior	Frente	B12	A7, B33, A14	N/A
Lexus	LX570	2008-2011, 2013-2017	SUV	Inferior	Frente	A20, A13	A21, B33, A13, A14	N/A
Lincoln	Aviator 2WD/4WD	2003-2005	SUV	Inferior	Frente	A33, A30, B30	A37, A40, A4	N/A
Lincoln	Aviator 2WD/4WD	2003-2005	SUV	Superior	Frente	B30, A33 y A30, A16	A40, A37 y A4, A16	N/A
Lincoln	Blackwood	2002-2003	Camión	Inferior	Frente	A23 o A20 y A13	A38, A21 y A13 o A24	N/A
Lincoln	Blackwood	2002-2003	Camión	Superior	Frente	B32, B22	B13, A40	Reemplazar el conjunto del brazo de control
Lincoln	Continental	1995-2002	Automóvil	Inferior	Frente	B32, B22	B13, A40	N/A
Lincoln	Mark LT	2006-2008	Camión	Inferior	Frente	A23	A38, A21, A13 o A28 o A24	N/A
Lincoln	Mark VIII	1993-1998	Automóvil	Inferior	Frente	A28, A30, A16	A28, A19, A16	N/A
Lincoln	MKZ	2007-2012	Automóvil	Superior	Frente	A22 y A13, A32	A37, A32	N/A
Lincoln	Navigator 2WD/4WD	1998-2002	SUV	Inferior	Frente	A23 o A20 y A13	A38, A21 y A13 o A24	N/A

Marca	Modelo	Año	Tipo	Posición	Ubicación	Herramientas de desmontaje	Herramientas de instalación	Comentarios
Lincoln	Navigator 2WD/4WD	1998-2002	SUV	Superior	Frente	B30, A30, A16	B27, B5, A16	No se ajusta a los brazos de control OE
Lincoln	Navigator 2WD/4WD	2003-2006	SUV	Inferior	Frente	A23	A38, A21 y A13 o A28	N/A
Lincoln	Navigator 2WD/4WD	2007-2008	SUV	Inferior	Frente	A23	A38, A21 y A13 o A28	N/A
Lincoln	Navigator 2WD/4WD	2007-2008	SUV	Inferior	Posterior	A23	A38, A21 y A13 o A28	N/A
Lincoln	Town Car	1995-2002	Automóvil	Inferior	Frente	A11 y A14, A32, A16	A35, A38, A16	N/A
Lincoln	Town Car	2003-2006	Automóvil	Superior	Frente	A24, A30, A16	A9 y A13, B7, A16	N/A
Lincoln	Town Car	2003-2011	Automóvil	Inferior	Frente	A23	A7, A4	N/A
Lincoln	Zephyr	2006	Automóvil	Superior	Frente	A22 y A13, A32	A37, A32	N/A
Mazda	626	1983-1997	Automóvil	Inferior	Frente	A31, A7	A7, A38	N/A
Mazda	B-2300 2WD	1994-1997	Camión	Superior	Frente	A13 y A21	A37, A38	N/A
Mazda	B-2300 2WD	1994-1997	Camión	Inferior	Frente	A13 y A21	A13 y A22, A38	N/A
Mazda	B-2300 2WD w/coil Spring Suspension	2001-2002	Camión	Superior	Frente	A7, B6, A16	A38 y B2, A37, A16	No se ajusta a los brazos de control OE
Mazda	B-2300 2WD w/coil Spring Suspension	2001-2004	Camión	Inferior	Frente	A23	A38, A21 y A13 o A28 o A24	N/A
Mazda	B-2300 2WD w/Torsion Bar Suspension	2001-2010	Camión	Inferior	Frente	A23 o A20 y A13	A38, A21 y A13 o A24	N/A
Mazda	B-2300 2WD/4WD	2005-2008	Camión	Inferior	Frente	A23	A38, A21 y A13 o A28 o A24	N/A
Mazda	B-2300 2WD/4WD w/Torsion Bar Suspension	2001-2004	Camión	Inferior	Frente	A23	A38, A21 y A13 o A28 o A24	N/A
Mazda	B-2300 2WD/4WD w/Torsion Bar Suspension	2001-2004	Camión	Superior	Frente	B30, A30, A16	B27, B5, A16	No se ajusta a los brazos de control OE
Mazda	B-2300 4WD	1994-1997	Camión	Superior	Frente	A21, A13	A37, A38	N/A
Mazda	B-2300 4WD	1995-1996	Camión	Inferior	Frente	A13 y A21	A13 y A22, A38 o B33 y A14	N/A
Mazda	B-2300 4WD	1995-1997	Camión	Superior	Frente	A13 y A21	A13 y A22, A38 o B33 y A14	N/A
Mazda	B-2500 2WD w/Coil Spring Suspension	1998-2001	Camión	Inferior	Frente	A23	A38, A21 y A13 o A28 o A24	N/A
Mazda	B-2500 2WD w/Coil Spring Suspension	1998-2001	Camión	Superior	Frente	A7, B6, A16	A38 y B2, A37, A16	No se ajusta a los brazos de control OE
Mazda	B-2500 2WD w/Torsion Bar Suspension	1998-2001	Camión	Inferior	Frente	A23 o A20 y A13	A38, A21 y A13 o A24	N/A
Mazda	B-2500 2WD/4WD w/Torsion Bar Suspension	1998-2001	Camión	Superior	Frente	B30, A30, A16	B27, B5, A16	No se ajusta a los brazos de control OE
Mazda	B-2500 4WD w/Torsion Bar Suspension	1998-2001	Camión	Inferior	Frente	A23	A38, A21 y A13 o A28 o A24	N/A
Mazda	B-3000 2WD	1994-1996	Camión	Inferior	Frente	A13 y A21	A13 y A22, A38	N/A
Mazda	B-3000 2WD	1994-1996	Camión	Superior	Frente	A13 y A21	A37, A38	N/A
Mazda	B-3000 2WD w/Coil Spring Suspension	1998-2002	Camión	Superior	Frente	A7, B6, A16	A38 y B2, A37, A16	No se ajusta a los brazos de control OE
Mazda	B-3000 2WD w/Coil Spring Suspension	1998-2004	Camión	Inferior	Frente	A23	A38, A21 y A13 o A28	N/A
Mazda	B-3000 2WD w/Torsion Bar Suspension	1998-2008	Camión	Inferior	Frente	A23 o A20 y A13	A38, A21 y A13 o A24	N/A
Mazda	B-3000 2WD/4WD	2005-2007	Camión	Inferior	Frente	A23	A38, A21 y A13 o A28 o A24	N/A

Marca	Modelo	Año	Tipo	Posición	Ubicación	Herramientas de desmontaje	Herramientas de instalación	Comentarios
Mazda	B-3000 2WD/4WD w/Torsion Bar Suspension	1998-2004	Camión	Superior	Frente	B30, A30, A16	B27, B5, A16	No se ajusta a los brazos de control OE
Mazda	B-3000 2WD/4WD w/Torsion Bar Suspension	2002-2004	Camión	Inferior	Frente	A23	A38, A21 y A13 o A28 o A24	N/A
Mazda	B-3000 4WD	1994-1997	Camión	Inferior	Frente	A13 y A21	A13 y A22, A38 o B33 y A14	N/A
Mazda	B-3000 4WD	1994-1996	Camión	Superior	Frente	A13 y A21	A13 y A22, A38 o B33 y A14	N/A
Mazda	B-3000 4WD w/Torsion Bar Suspension	1998-2001	Camión	Inferior	Frente	A23	A38, A21 y A13 o A28 o A24	N/A
Mazda	B-4000 2WD	1994-1997	Camión	Inferior	Frente	A13 y A21	A13 y A22, A38	N/A
Mazda	B-4000 2WD	1994-1997	Camión	Superior	Frente	A13 y A21	A37, A38	N/A
Mazda	B-4000 2WD w/Coil Spring Suspension	1998-2002	Camión	Superior	Frente	A7, B6, A16	A38 y B2, A37, A16	No se ajusta a los brazos de control OE
Mazda	B-4000 2WD w/Coil Spring Suspension	1998-2004	Camión	Inferior	Frente	A23	A38, A21 y A13 o A28 o A24	N/A
Mazda	B-4000 2WD w/Torsion Bar Suspension	1998-2010	Camión	Inferior	Frente	A23 o A20 y A13	A38, A21 y A13 o A24	N/A
Mazda	B-4000 2WD/4WD	2005-2008	Camión	Inferior	Frente	A23	A38, A21 y A13 o A28 o A24	N/A
Mazda	B-4000 2WD/4WD	2005-2008	Camión	Superior	Frente	A23	A38, A21 y A13 o A28 o A24	N/A
Mazda	B-4000 2WD/4WD w/Torsion Bar Suspension	1998-2004	Camión	Superior	Frente	B30, A30, A16	B27, B5, A16	No se ajusta a los brazos de control OE
Mazda	B-4000 4WD	1994-1997	Camión	Inferior	Frente	A13 y A21	A13 y A22, A38 o B33 y A14	N/A
Mazda	B-4000 4WD	1994-1997	Camión	Superior	Frente	A13 y A21	A13 y A22, A38 o B33 y A14	N/A
Mazda	B-4000 4WD w/Torsion Bar Suspension	1998-2001	Camión	Inferior	Frente	A23	A38, A21 y A13 o A28 o A24	N/A
Mazda	MX-6	1988-1997	Automóvil	Inferior	Frente	A31, A7	A7, A38	N/A
Mazda	Navajo 2WD	1992-1994	SUV	Inferior	Frente	A13 y A21	A13 y A22, A38	N/A
Mazda	Navajo 4WD	1992-1994	SUV	Superior	Frente	A13 y A21	A37, A38	N/A
Mazda	Navajo 4WD w/Dana 35 Axle	1991-1994	SUV	Inferior	Frente	A13 y A21	A13 y A22, A38 o B33 y A14	Utiliza un perno de fijación fabricado a 1-10-93
Mazda	Navajo 4WD w/Dana 35 Axle	1993-1994	SUV	Superior	Frente	A13 y A21	A13 y A22, A38 o B33 y A14	Utiliza un perno de fijación fabricado a 1-10-93
Mazda	Tribute 2WD/4WD	2001-2006, 2011	SUV	Inferior	Frente	A33, A4	A7, A38 y B2	N/A
Mazda	Tribute 2WD/4WD	2008	SUV	Inferior	Frente	A33, A4	A7, A38 y B2	N/A
Mercury	Cougar	1989-1997	Automóvil	Inferior	Frente	A28, A30	A28, A19	N/A
Mercury	Grand Marquis	1995-2002	Automóvil	Inferior	Frente	A32, A11, A14	A38, A35	N/A
Mercury	Grand Marquis	2003-2011	Automóvil	Inferior	Frente	A23	A7, A4	N/A
Mercury	Grand Marquis	2003-2006	Automóvil	Superior	Frente	A24, A30	A13, A9, B7	N/A
Mercury	Marauder	2003-2004	Automóvil	Inferior	Frente	A23	A7, A4	N/A
Mercury	Marauder	2003-2004	Automóvil	Superior	Frente	A24, A30, A16	A9 y A13, B7, A16	N/A
Mercury	Mariner 2WD/4WD	2005-2011	SUV	Inferior	Frente	A33, A4	A7, A38 y B2	N/A
Mercury	Milan	2006-2011	Automóvil	Superior	Frente	A22 y A13, A32	A37, A32	N/A

Marca	Modelo	Año	Tipo	Posición	Ubicación	Herramientas de desmontaje	Herramientas de instalación	Comentarios
Mercury	Mountaineer	1997-2001	SUV	Superior	Frente	B30, A30, A16	B27, B5, A16	No se ajusta a los brazos de control OE
Mercury	Mountaineer	1997-2010	SUV	Inferior	Frente	A23 o A20 y A13	A38, A21 y A13 o A24	N/A
Mercury	Mountaineer 2WD/4WD	2002-2005	SUV	Superior	Frente	B30, A33 y A30, A16	A40, A37 y A4, A16	N/A
Mercury	Mountaineer 2WD/4WD	2006-2010	SUV	Superior	Frente	B30, A32 y A30, A16	A13 y A9 o A39, A36, A16	N/A
Mercury	Sable	1996-2005	Automóvil	Inferior	Frente	B32, B22	B13, A40	N/A
Mitsubishi	Eclipse	1990-1994	Automóvil	Inferior	Frente	A33, A29	A7	N/A
Mitsubishi	Eclipse	2000-2005	Automóvil	Inferior	Frente	A6, A7, A16	A27, A9 y A13, A16	N/A
Mitsubishi	Eclipse	2006-2012	Automóvil	Inferior	Frente	A34, A4	A20, A13, A39	N/A
Mitsubishi	Galant	1985-1993	Automóvil	Inferior	Frente	A33, A29	A7	N/A
Mitsubishi	Galant	1999-2003	Automóvil	Inferior	Frente	A6, A7, A16	A27, A9 y A13, A16	N/A
Mitsubishi	Galant	2004-2011	Automóvil	Inferior	Frente	A34, A4	A13 y A20, A39	N/A
Mitsubishi	Lancer	2002-2008	Automóvil	Inferior	Frente	A33, A29	A22 y A13	N/A
Mitsubishi	Mighty Max	1983-1996	Camión	Superior	Frente	A24, B6, A16	A39, A37, A16	N/A
Mitsubishi	Raider	2006-2009	Camión	Inferior	Frente	B12	A38, A28	N/A
Nissan	200SX	1995-1998	Automóvil	Inferior	Frente	A33, A37	A37, A40	N/A
Nissan	240SX	1994-1998	Automóvil	Inferior	Frente	A4, A34, A16	A37, A9 y A13, A16	N/A
Nissan	300ZX	1990-1996	Automóvil	Inferior	Frente	A4, A34, A16	A37, A9 y A13, A16	N/A
Nissan	Altima	1993-1997	Automóvil	Inferior	Frente	A33, A29	A37, A32	N/A
Nissan	Altima	1998-2001	Automóvil	Inferior	Frente	A33, A29	A22 y A13, o A37, A39	N/A
Nissan	Armada	2004-2005	SUV	Inferior	Frente	A11 y A13	A4, A21 y A13 o A28 o A24	N/A
Nissan	Armada	2005-2008	SUV	Superior	Frente	A7, B6, A16	A39, A37, A16	N/A
Nissan	D21 Pickup 2WD	1991-1997	Camión	Inferior	Frente	B29, B19 y A14	A13 y A21 o A28, B27	N/A
Nissan	Equator	2009-2012	Camión	Inferior	Frente	A13, A11	A21, A13, A4	N/A
Nissan	Frontier	1998-2008	Camión	Inferior	Frente	A11 y A13	A4, A21 y A13 o A28 o A24	N/A
Nissan	Frontier	1998-2004	Camión	Superior	Frente	A13 y B21, A37, A16	A38, B11 y A14, A16	N/A
Nissan	Frontier	2005-2014	Camión	Superior	Frente	A13 y A21 o A28, B6, A16	A39, A35, A16	N/A
Nissan	Maxima	1995-1999	Automóvil	Inferior	Frente	A4, A34, A16	A37, A32 y A13, A16	N/A
Nissan	Maxima	2000-2003	Automóvil	Inferior	Frente	A4, A34, A16	A37, A9 y A13, A16	N/A
Nissan	Pathfinder	2005-2012	SUV	Inferior	Frente	A11 y A13	A4, A21 y A13 o A28 o A24	N/A
Nissan	Pathfinder	2005-2012	SUV	Superior	Frente	A13 y A21 o A28, B6, A16	A39, A35, A16	N/A
Nissan	Quest	2004-2009	Furgón	Inferior	Frente	A33, A4	A7, A38, A9	N/A
Nissan	Sentra	1991-1999	Automóvil	Inferior	Frente	A33, A37	A37, A40	N/A
Nissan	Sentra	2000-2006	Automóvil	Inferior	Frente	A7, A32, A16	A37, A32, A16	N/A
Nissan	Sentra	2007-2012	Automóvil	Inferior	Frente	A21, A14, A33	A39, B5	N/A

Marca	Modelo	Año	Tipo	Posición	Ubicación	Herramientas de desmontaje	Herramientas de instalación	Comentarios
Nissan	Titan	2004-2006	Camión	Superior	Frente	A7, B6, A16	A39, A37, A16	N/A
Nissan	Titan	2004-2014	Camión	Inferior	Frente	A11 y A13	A4, A21 y A13 o A28 o A24	N/A
Nissan	Versa	2007-2012	Automóvil	Inferior	Frente	A33, A29	A29, A32	N/A
Nissan	Xterra	2000-2004	SUV	Superior	Frente	A13 y B21, A37, A16	A38, B11 y A14, A16	N/A
Nissan	Xterra	2000-2015	SUV	Inferior	Frente	A13, A11	A21, A13, A4	N/A
Nissan	Xterra	2005-2015	SUV	Superior	Frente	A21, A13, B6	A35, A39	N/A
Oldsmobile	88	1985-1999	Automóvil	Inferior	Posterior	A7, A6, A16	A37, A39, A16	N/A
Oldsmobile	98	1985-1996	Automóvil	Inferior	Posterior	A7, A6, A16	A37, A39, A16	N/A
Oldsmobile	Bravada 2WD/4WD	2002-2004	SUV	Inferior	Frente	A18 y A13	A7, A38	N/A
Oldsmobile	Bravada 2WD/4WD	2002-2004	SUV	Superior	Frente	A7, B20, A16	A33, A29, A16	N/A
Oldsmobile	LSS	1996-1999	Automóvil	Inferior	Posterior	A7, A6, A16	A37, A39, A16	N/A
Oldsmobile	Regency	1997-1998	Automóvil	Inferior	Posterior	A7, A6, A16	A37, A39, A16	N/A
Plymouth	Breeze	1996-2000	Automóvil	Superior	Frente	A7, A32, A16	A37, A39, A16	N/A
Plymouth	Breeze	1996-2000	Automóvil	Superior	Posterior	A7, A32, A16	A37, A39, A16	N/A
Plymouth	Grand Voyager	1991-2000	Furgón	Inferior	Frente	A33, A29 o A22 y A14	A37 o A22 y A13, A39	N/A
Plymouth	Laser	1990-1994	Automóvil	Inferior	Frente	A33, A29	A7	N/A
Plymouth	Neon	1995-1999	Automóvil	Inferior	Frente	A32, A7, A16	A27, A39, A16	N/A
Plymouth	Neon	2000-2001	Automóvil	Inferior	Frente	A32, B9, A16	A29, A39, A16	N/A
Plymouth	Voyager	1991-2000	Furgón	Inferior	Frente	A33, A29 o A22 y A14	A37 o A22 y A13, A39	N/A
Plymouth	Voyager	2001-2003	Furgón	Inferior	Frente	A33, A29	A13 y A22, A39	N/A
Pontiac	Bonneville	1987-1999	Automóvil	Inferior	Posterior	A7, A6, A16	A37, A39, A16	N/A
Pontiac	Firebird	1970-2002	Automóvil	Inferior	Frente	A32, A20, A14, A16	A11 y A13, A19, A16	N/A
Pontiac	Soltice	2006-2007	Automóvil	Inferior	Frente	A21, A14, A32	A28, A19	N/A
Saab	9-7X	2005-2009	Automóvil	Inferior	Frente	A18 y A13	A7, A38	N/A
Saab	9-7X	2005-2009	Automóvil	Superior	Frente	A7, B20, A16	A33, A29, A16	N/A
Toyota	4-Runner	1996-2002	SUV	Superior	Frente	A26, A7, A16	A37, A33, A16	N/A
Toyota	4-Runner	2003-2016	SUV	Superior	Frente	A14, A33, A11	A21, A38, A13	N/A
Toyota	Echo	2000-2005	Automóvil	Inferior	Frente	A33, A37	A37, A40	N/A
Toyota	FJ Cruiser	2007-2010	SUV	Superior	Frente	A14, A33, A11	A21, A38, A13	N/A
Toyota	Land Cruiser	1998-2007	SUV	Inferior	Frente	B12	A7, B33, A14	N/A
Toyota	Land Cruiser	2008-2016	SUV	Inferior	Frente	A20, A13	A21, B33, A13, A14	N/A
Toyota	Sequoia	2001-2007	SUV	Superior	Frente	A26, A7, A16	A37, A33, A16	N/A
Toyota	Sequoia	2008-2013	SUV	Inferior	Frente	A20, A13	A21, B33, A13, A14	N/A
Toyota	Tacoma	2005-2015	Camión	Inferior	Frente	B19 y A13	A38, A21 y A13	N/A
Toyota	Tacoma	2005-2015	Camión	Superior	Frente	A3, A26, A16	A39 o A13 y A9, A37, A16	N/A
Toyota	Tacoma 4WD	1995-2004	Camión	Superior	Frente	A26, A7, A16	A37, A33, A16	N/A

Marca	Modelo	Año	Tipo	Posición	Ubicación	Herramientas de desmontaje	Herramientas de instalación	Comentarios
Toyota	Tacoma Prerunner 2WD	1995-2004	Camión	Superior	Frente	A26, A7, A16	A37, A33, A16	N/A
Toyota	Tundra	2000-2006	Camión	Superior	Frente	A26, A7, A16	A37, A33, A16	N/A
Toyota	Tundra	2007-2017	Camión	Inferior	Frente	A20, A13	A21, B33, A13, A14	N/A
Toyota	Tundra	2007-2017	Camión	Superior	Frente	A14, A33, A11	A21, A38, A13	N/A
Toyota	Yaris	2007-2008	Automóvil	Inferior	Frente	A37, A33	A37, A40	N/A
Volkswagen	Routan	2009-2014	Furgón	Inferior	Frente	A7, A26	A11, A38	N/A

**GARANTÍA LIMITADA UN AÑO DE OEMTOOLS®**

OEMTOOLS® garantizará este producto durante un año a partir de la fecha de compra original de este producto. Si encuentra cualquier defecto en el material o mano de obra, durante el uso normal, devuélvalo al lugar de compra o a OEMTOOLS® para reparación o reemplazo a nuestra discreción. A fin de obtener este servicio, envíe su herramienta y comprobante de compra, con transporte prepago, a OEMTOOLS® Q.A. Dept., 3580 E. Raines Road #3, Memphis, TN 38118. No asumimos responsabilidad por artículos perdidos o dañados durante el transporte. Por favor asegure su paquete. Si nuestra inspección verifica el defecto, nosotros ya sea repararemos o reemplazaremos el producto, según sea nuestra opción o podemos optar por reembolsarle el precio de compra si no podemos oportuna y rápidamente proporcionarle uno de reemplazo. Nosotros pagamos el retorno de los productos reparados, pero si determinamos que no hay defecto o que el defecto resultó de causas que no están dentro del alcance de nuestra garantía, entonces usted deberá asumir el costo de retorno del producto.

OEMTOOLS® no garantiza ningún otro producto cuya marca no sea OEM® o OEMTOOLS®. OEMTOOLS® no ofrecerá ninguna garantía por productos que han sido sometidos a uso anormal. El uso anormal incluye, pero no se limita a, abuso, accidente, modificación, negligencia y uso o reparaciones no autorizadas o irrazonables. Esta garantía no cubre brocas, hojas, limas, baterías ni calibración. Recomendamos que usted preste servicio a sus herramientas y afíle o reemplace las hojas, brocas, limas y baterías según sea necesario. OEMTOOLS® se reserva el derecho de modificar la construcción o diseño en cualquier momento, sin ninguna obligación de incorporar tales cambios a las herramientas o equipos vendidos previamente.

OEMTOOLS® se esfuerza en asegurar de que sus productos cumplen las normas de alta calidad y durabilidad y garantiza al comprador original que este producto está libre de defectos de material o mano de obra durante un período de un año a partir de la fecha de compra. Esta garantía no se aplica a daño debido directa o indirectamente a mal uso, abuso, negligencia o accidentes, reparaciones o modificaciones realizadas fuera de nuestra planta, actividad criminal, instalación incorrecta y desgaste normal o falta de mantenimiento.

En ningún caso, seremos responsables por muerte, lesiones a personas o daños materiales o por daños imprevistos, eventuales, especiales o indirectos que surjan a causa del uso de este producto. En algunos estados no se permite la exclusión o limitación de daños imprevistos o indirectos, por lo tanto la limitación anterior puede no aplicarse en su caso. ESTA GARANTÍA REEMPLAZA EXPRESAMENTE TODAS LAS OTRAS GARANTÍAS EXPRESAS O IMPLÍCITAS, INCLUYENDO LAS GARANTÍAS DE COMERCIABILIDAD Y ADECUACIÓN. Esta garantía le otorga derechos legales específicos y usted también puede tener otros derechos que varían de un estado a otro.

Sírvase visitar nuestro sitio web para obtener la información completa de la garantía.

# Ball Joint Master Service Set

## Juego de servicio maestro de rótula



### CONTACT US

3580 E. Raines Road, Suite 3, Memphis, TN 38118  
Tel: 1-866-458-2472  
[www.oem-tools.com](http://www.oem-tools.com)